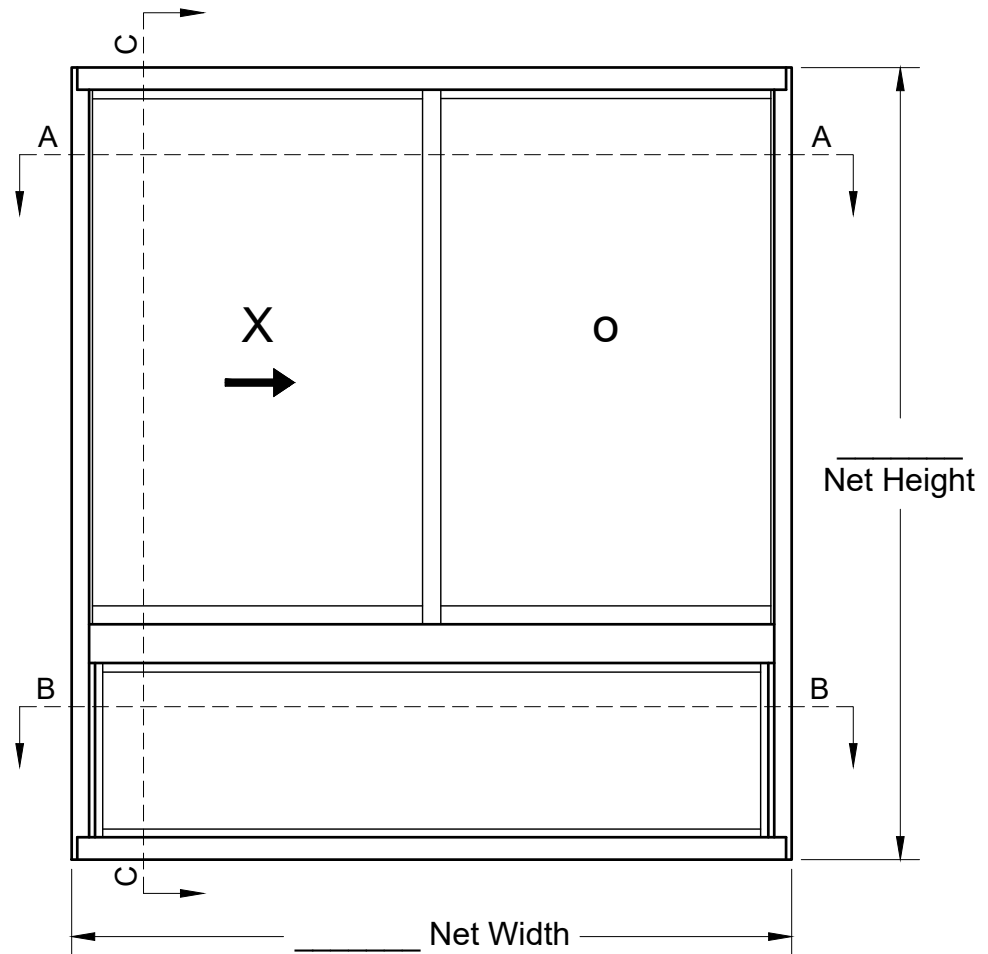




- | Nail-On Frame
- | Poured and De-bridged
- | 1" OA - Tempered IGU

Quote #:
 Customer:
 Project:
 Line #:
 Qty:
 Series:
 Frame Type:
 Finish:
 Notes:

View from Exterior



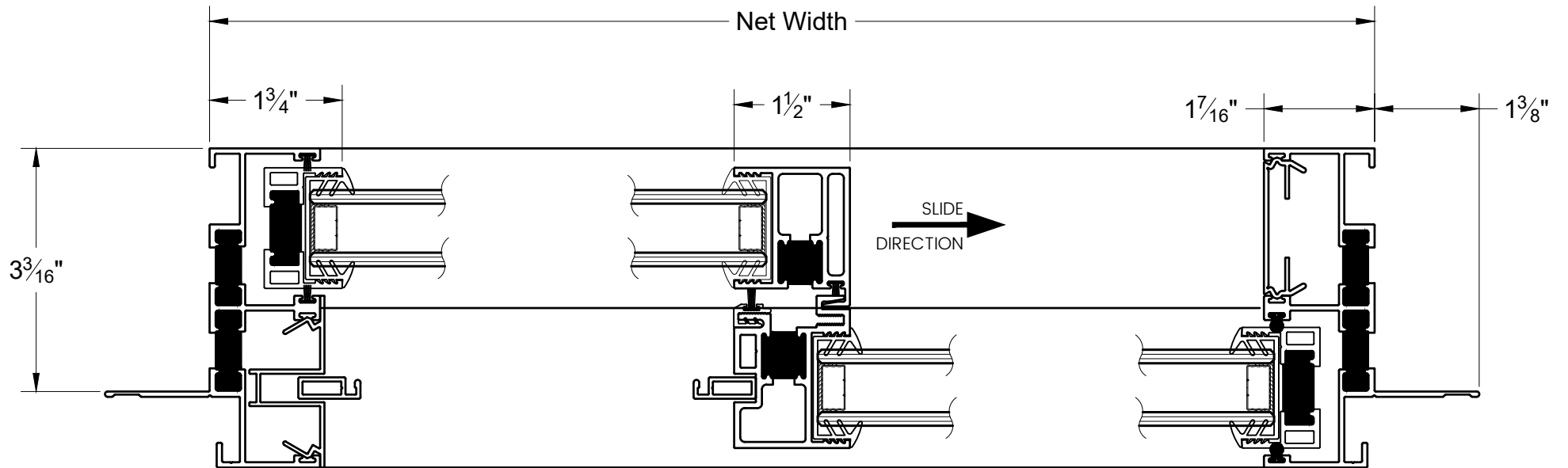
Dear Customer, Please review this drawing carefully, then sign and date it. Signature _____ Date _____ Note: Detail Not to Scale

Series 6200 Thermally Broken Sliding Window

XO/Transom Elevation Detail - Extruded Flat Screen



Interior Side



Exterior Side

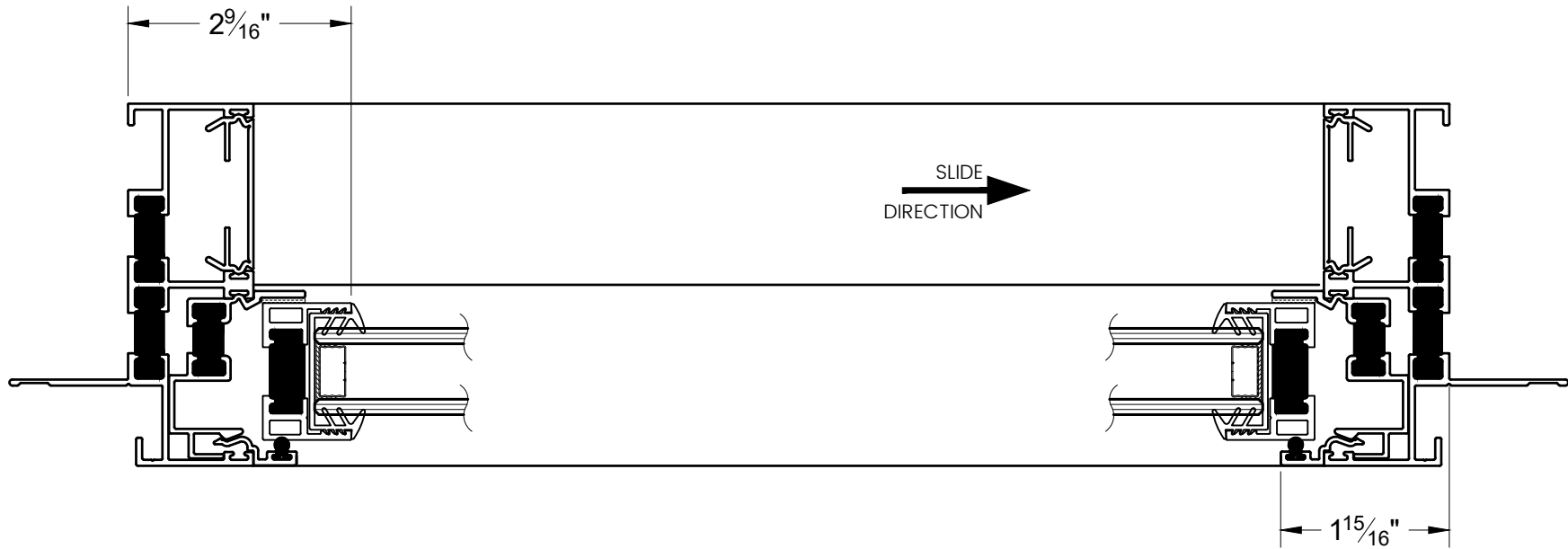
Scale: 1:2

Section A-A: Jambs

Series 6200 Thermally Broken Sliding Window

XO/Transom Section Detail - Extruded Flat Screen

Interior Side



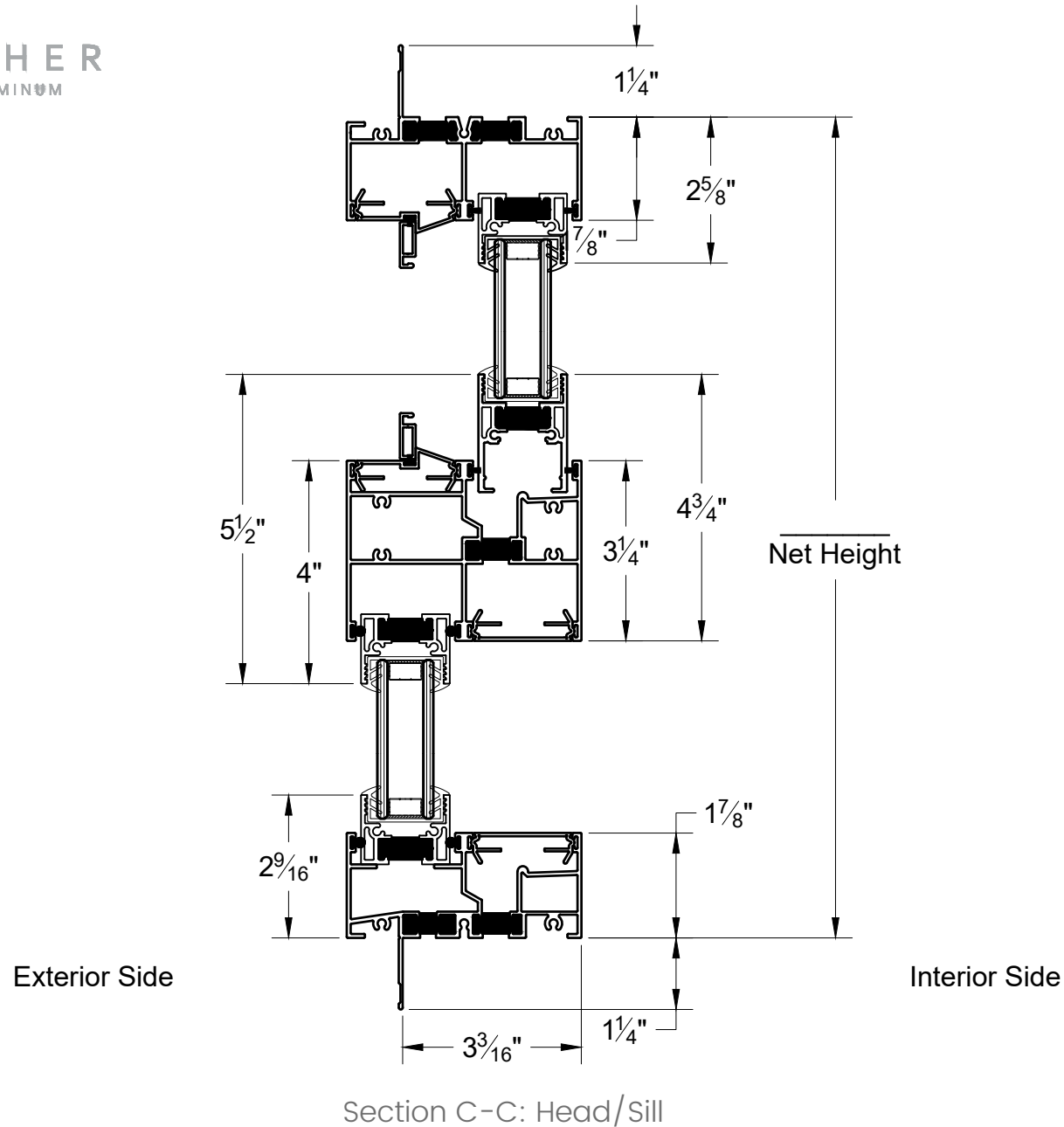
Exterior Side

Scale: 1:2

Section B-B: Jambs

Series 6200 Thermally Broken Sliding Window

XO/Transom Section Detail - Extruded Flat Screen



Scale: 1:3

Series 6200 Thermally Broken Sliding Window

XO/Transom Section Detail - Extruded Flat Screen