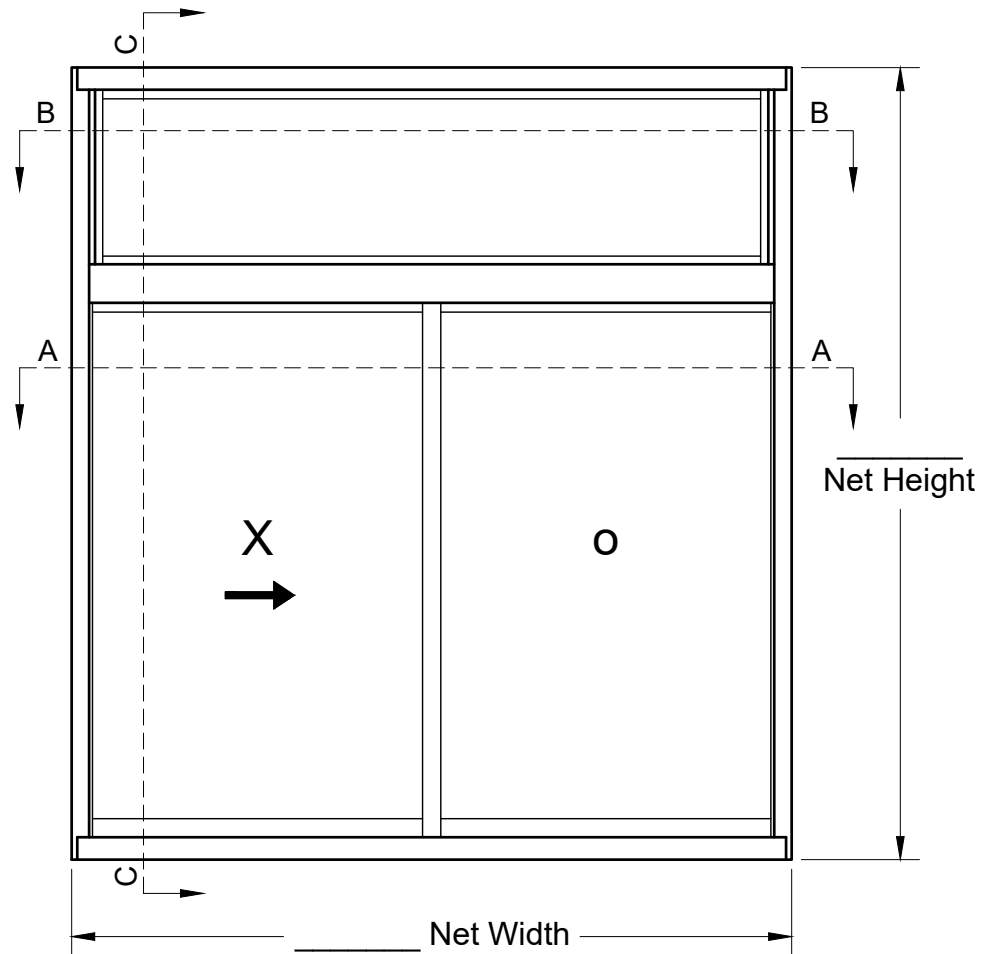




- | Nail-On Frame
- | Poured and De-bridged
- | 1" OA - Tempered IGU

Quote #:  
 Customer:  
 Project:  
 Line #:  
 Qty:  
 Series:  
 Frame Type:  
 Finish:  
 Notes:

View from Exterior



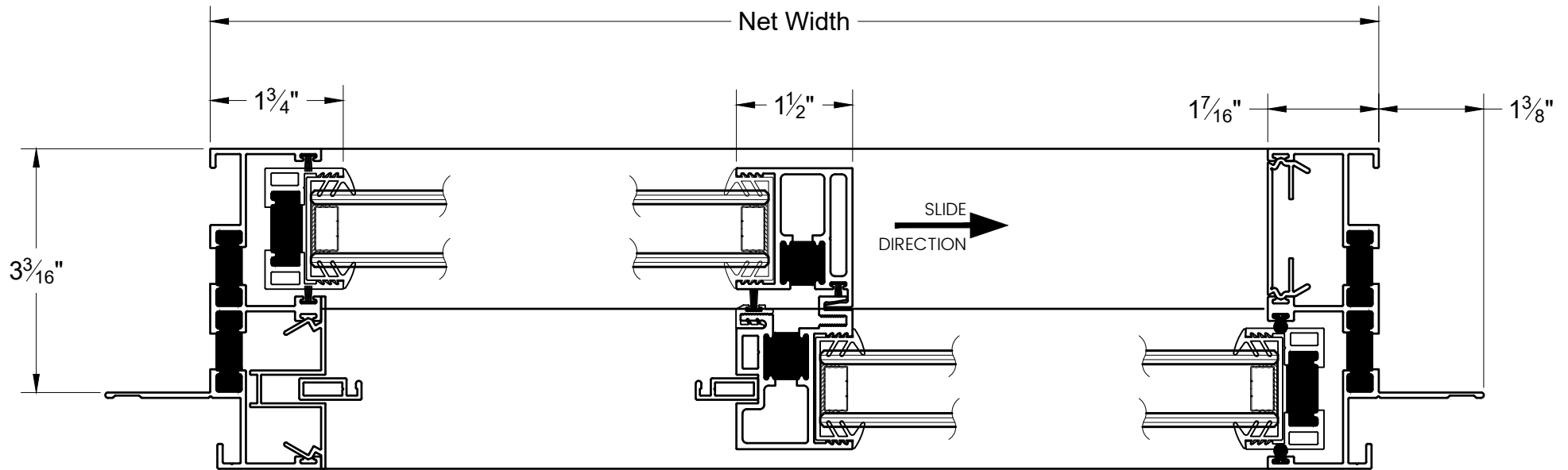
Dear Customer, Please review this drawing carefully, then sign and date it. Signature \_\_\_\_\_ Date \_\_\_\_\_ Note: Detail Not to Scale

## Series 6200 Thermally Broken Sliding Window

Transom/XO Elevation Detail - Extruded Flat Screen



Interior Side



Exterior Side

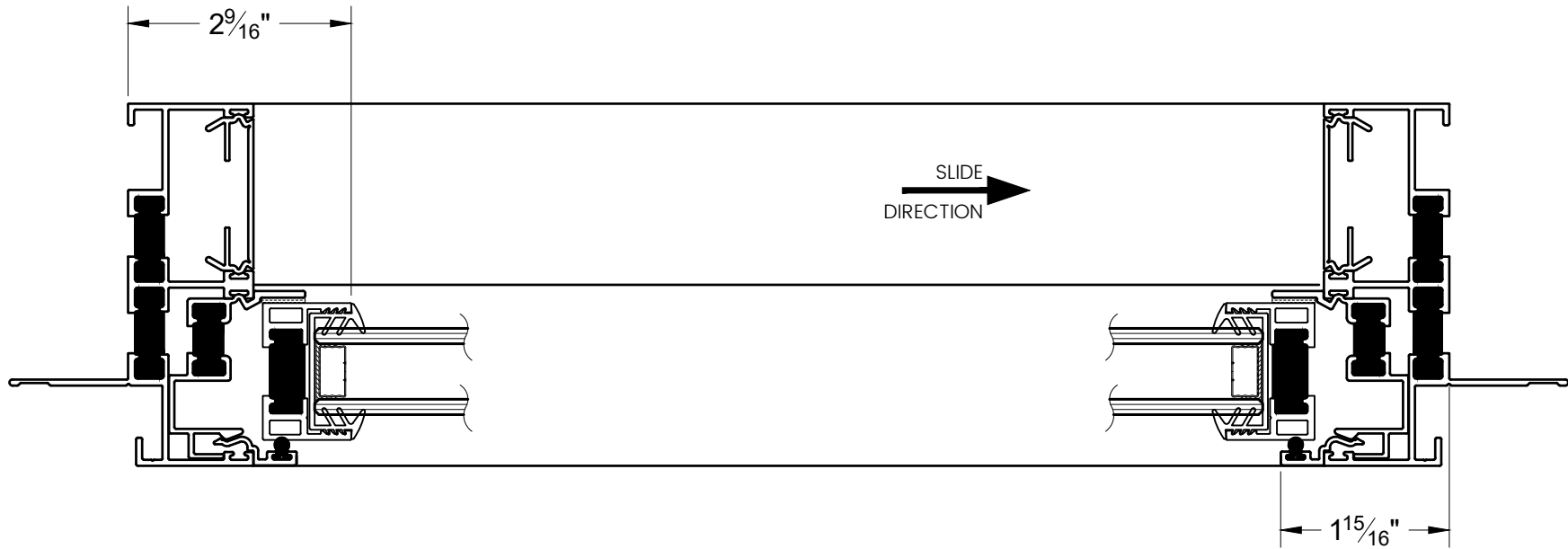
Scale: 1:2

Section A-A: Jambs

## Series 6200 Thermally Broken Sliding Window

Transom/XO Section Detail - Extruded Flat Screen

Interior Side



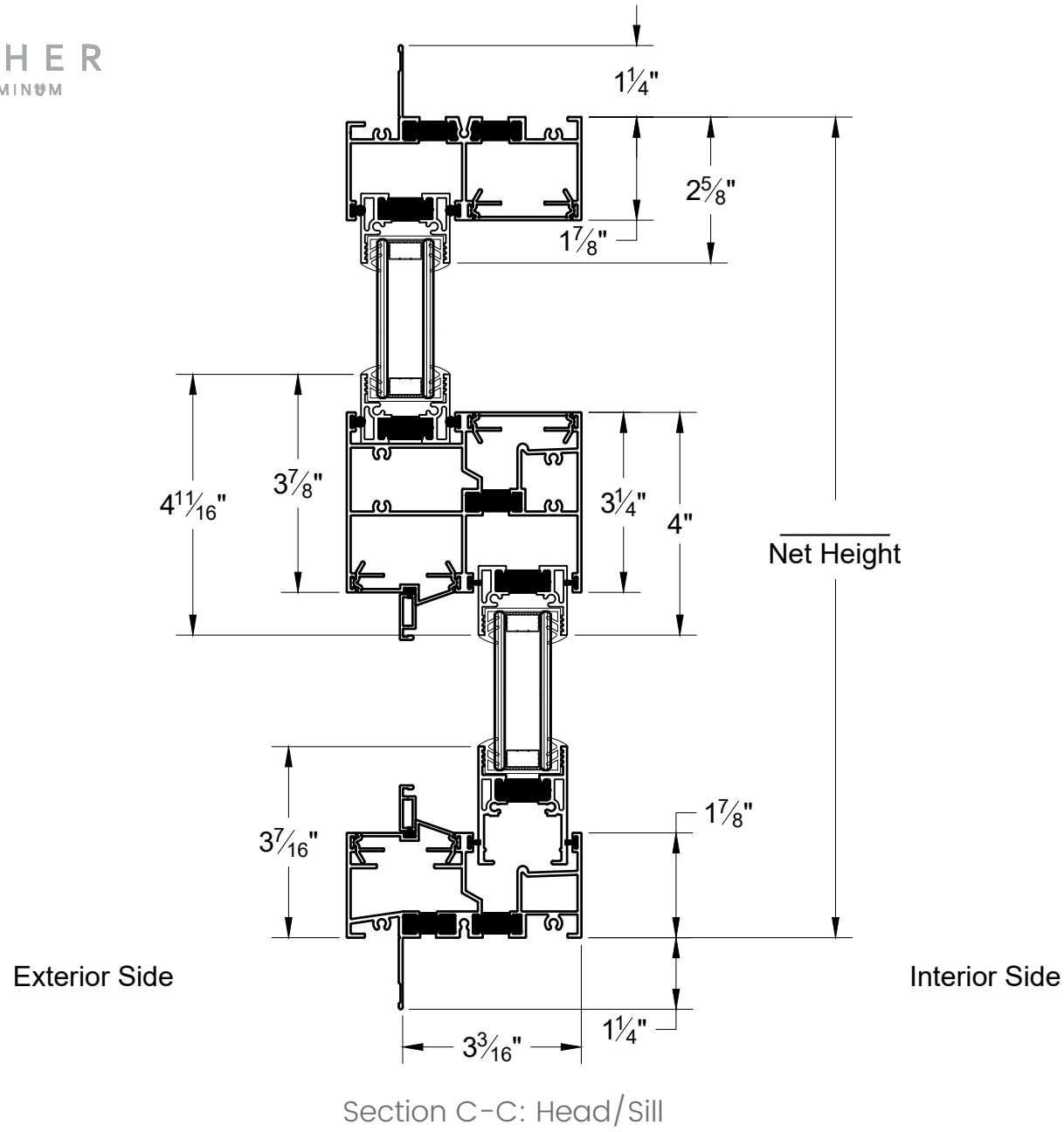
Exterior Side

Scale: 1:2

Section B-B: Jambs

## Series 6200 Thermally Broken Sliding Window

Transom/XO Section Detail - Extruded Flat Screen



Scale: 1:3

## Series 6200 Thermally Broken Sliding Window

Transom/XO Section Detail - Extruded Flat Screen