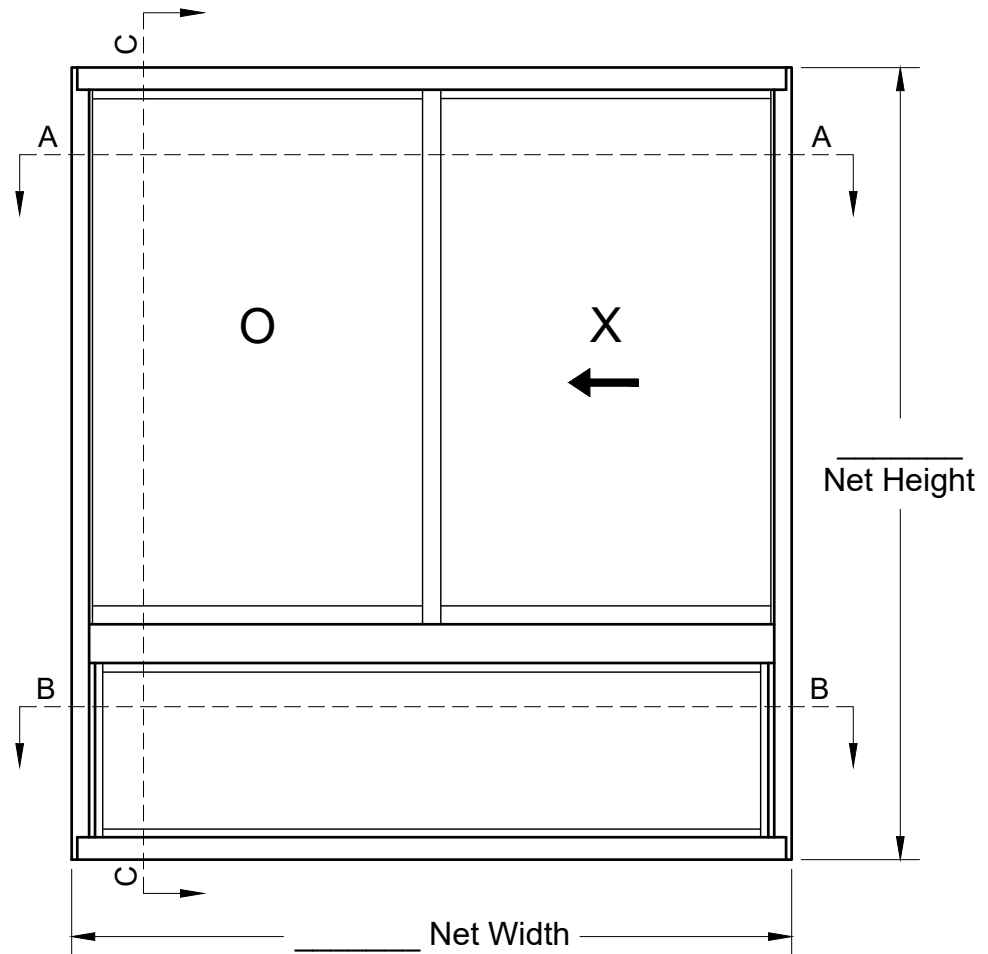




- | Nail-On Frame
- | Poured and De-bridged
- | 1" OA - Tempered IGU

Quote #:  
Customer:  
Project:  
Line #:  
Qty:  
Series:  
Frame Type:  
Finish:  
Notes:

View from Exterior



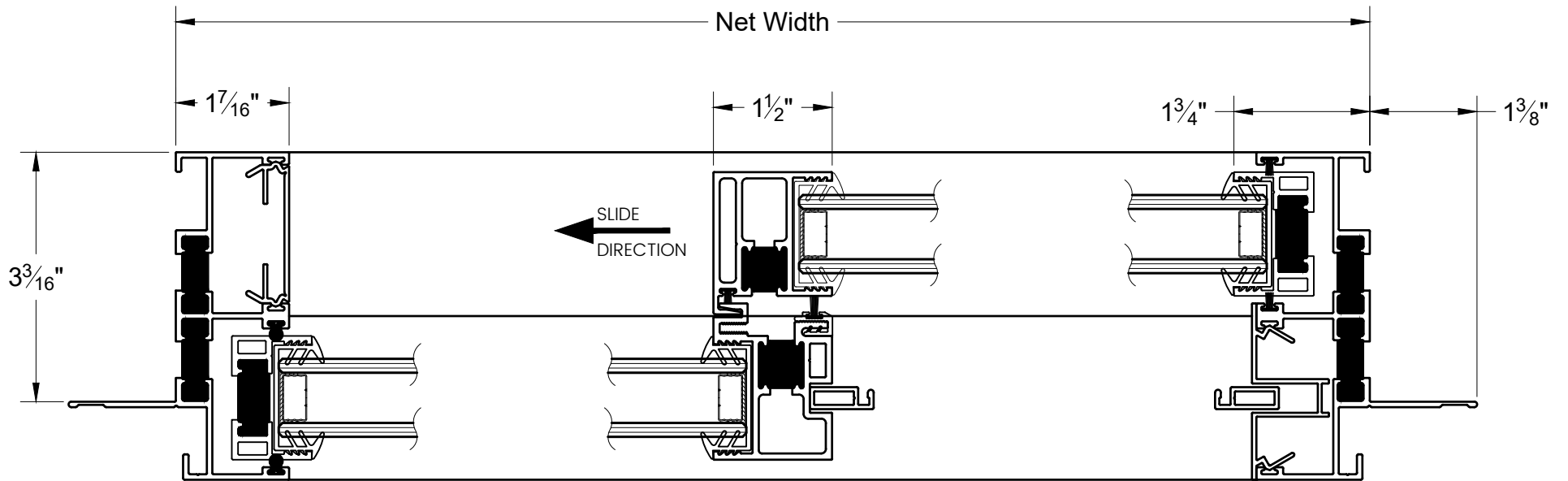
Dear Customer, Please review this drawing carefully, then sign and date it. Signature \_\_\_\_\_ Date \_\_\_\_\_ Note: Detail Not to Scale

## Series 6200 Thermally Broken Sliding Window

OX/Transom Elevation Detail - Extruded Flat Screen



Interior Side



Exterior Side

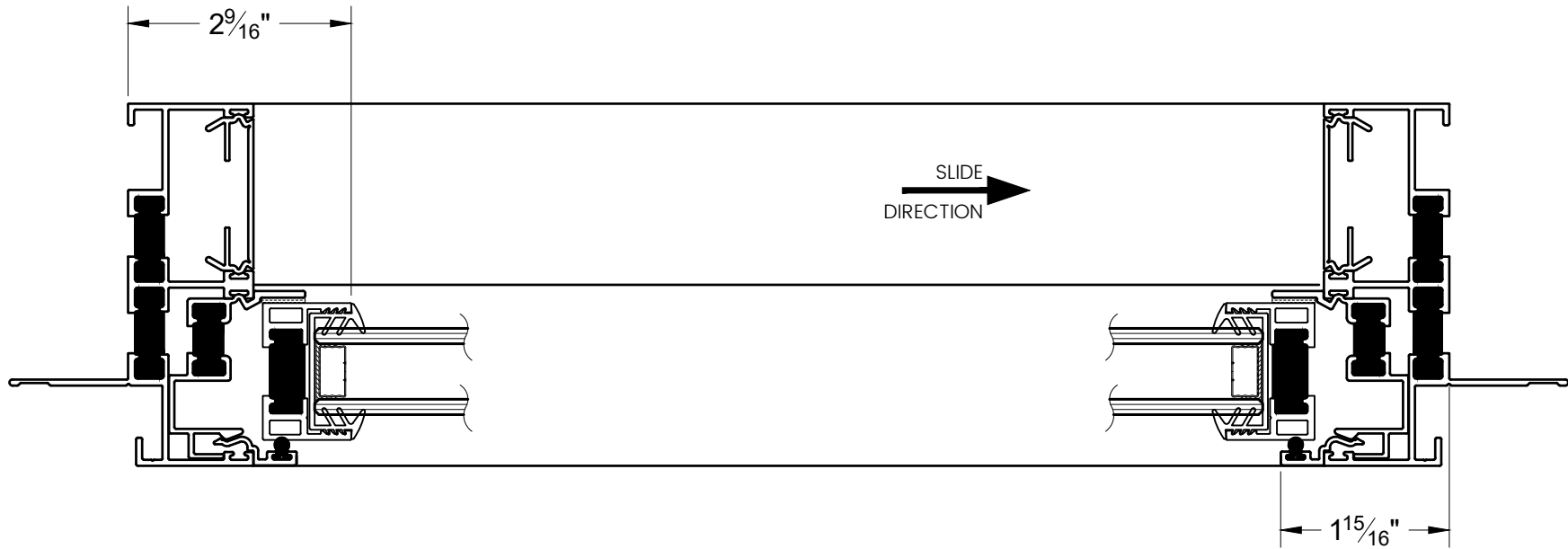
Scale: 1:2

Section A-A: Jambs

## Series 6200 Thermally Broken Sliding Window

OX/Transom Section Detail - Extruded Flat Screen

Interior Side



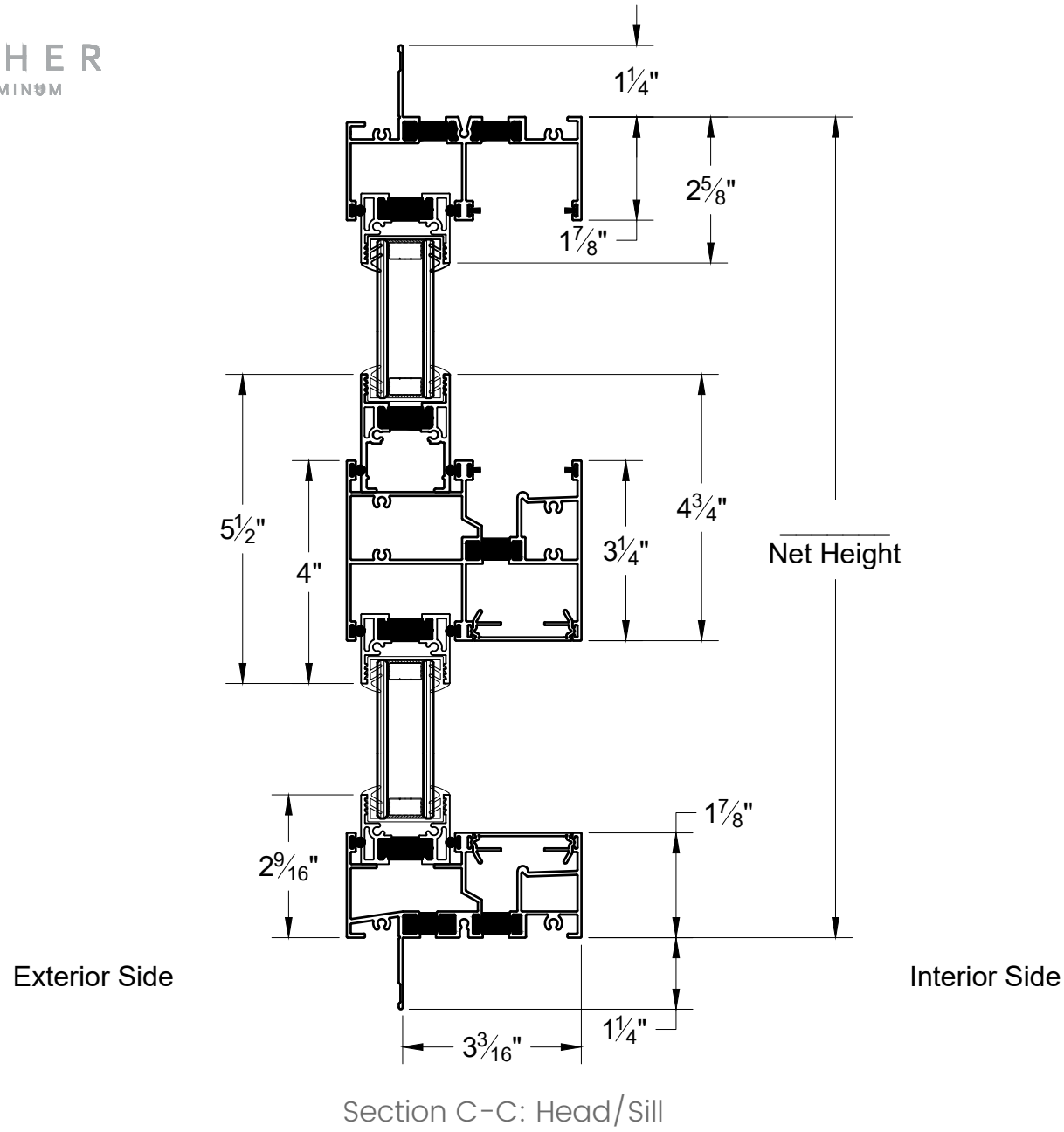
Exterior Side

Scale: 1:2

Section B-B: Jambs

## Series 6200 Thermally Broken Sliding Window

OX/Transom Section Detail - Extruded Flat Screen



Scale: 1:3

## Series 6200 Thermally Broken Sliding Window

OX/Transom Section Detail - Extruded Flat Screen