



SERIES 7000 THERMALLY BROKEN ALUMINUM SWING DOOR

PRODUCT SPECIFICATIONS | EXTRUSION DETAILS | TEST REPORTS

INTRODUCTION

Series 7000 product line uses 6063 extruded aluminum age hardened to a T-5 rating for strength and durability. The profiles for this series are extruded as two separate parts and are then joined into a single profile using thermal struts. Polyamide bars and aluminum extrusions are attached via continuous mechanical crimping. The finished profile is now thermally broken providing both improved thermal performance as well as improved condensation resistance. We currently are using two 18mm thermal struts in the frame. The frame is 82mm (3.250") in depth and the sash is 75mm (2.837")

The Series 7000 Swing Door is available in the following finishes:

- Class I Clear Anodized**
- Class I Bronze Anodized**

** Indicates Finishes In Stock.

ACOUSTICAL TESTING

Series 7000 Thermally Broken Swing Door meets the following STC performance ratings:

- STC 36 / OITC 29 ¼" over ¾" with a 1" OA
- STC 39 / OITC 32 ¾" over 8.8mm with a 1" OA
- STC 40 / OITC 32 ¾" over 8.8mm Lami with a 1¼" OA

THERMAL TESTING

Series 7000 Thermally Broken Swing Door has been simulated and tested according to NFRC 100/200/500.

CONSTRUCTION

Corners of the frame, the sash, sidelites and transoms are assembled using a die-cast aluminum corner key for structural integrity. Corners are filled with silicone for additional reinforcement. The frame sill contains weep provisions. All surfaces to be glazed are fitted by snap bead. They are positioned directly into the channels of the aluminum profiles using a EPDM gasket that provides better air and water tightness.

HARDWARE

Hinges

Hinges are fabricated from extruded aluminum with non-removable, non-magnetic stainless steel hinge shaft. Hinges provide horizontal adjustment of +/- 1.00 mm (+/- 0.039 in.). Hinge-installation does not require machining of profiles.

Cylinder Lock

Mortise-type with 11 stainless steel pins. A special cylinder-key profile is used to prevent the use of picks and break-in tools. The cylinder-lock has a high torsion-resistance and is rated for 50,000 cycles.

Lock

Multipoint type, reversible, and corrosion-resistant. The lock includes adjustable rolling pins, dead bolt and latch, mortise-construction with reinforced lever spring system.

Handles

Standard Tokyo handle and optional Dallas and Stockholm handles available in silver and black. Thumb turn standard on the interior and keyed lock optional on the exterior.

KICK PLATE

A 10" kick plate can be achieved by stacking 2 bars within the sash.

SCREENS

Screens are not available for the Series 7000 Thermally Broken Swing Door.

GLAZING

The Series 7000 Thermally Broken Swing Door offer a standard 1" OA or a 1¼" OA upon request.

GASKETS

All gaskets are made of EPDM. The central gasket is to form a continuous and tight seal. Pre-formed vulcanized corners are used. Central-gasket joints are cut at a 90 degree-angle and bonded to the vulcanized corners.

INSTALLATION GUIDELINES

- Completed frames and panels will ship as individual units to be assembled together in the field by professional installers.
- All doors must be installed in openings prepared in accordance with AAMA recommendations and the below-listed manufacturers' recommendations. If shop drawings are required, please refer to approved shop drawings for installation.
- Each unit must be installed level, plumb and square with a ¼" clearance on the jambs and the header of the door.

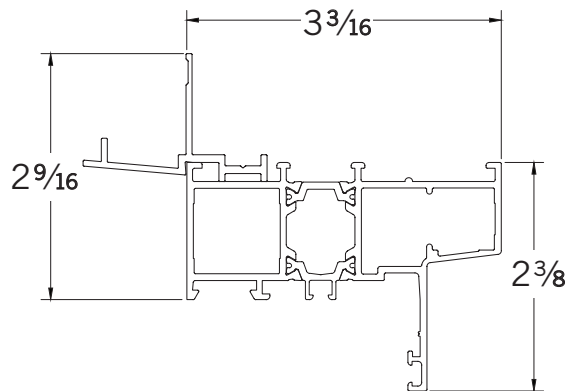
- Remove wet plaster, mortar, stucco and cement immediately. (Note: doors should only be cleaned with mild soap and water.)
- Do not set items on the sill.
- In nail-on applications, a bead of caulking material should be applied to the inside nail-on fin just before installation to insure a water-tight seal between the building and the door.
- Any attachment screws or bolts should be sealed during the process of installation.
The Series 7000 frame is hollow so a clearance hole for the head of the fastener should be used to fasten the outer most web to the building. The head of the fastener must be sealed to the frame and the clearance hole should be filled and capped.
- After installation is completed, building paper and stucco wire, if a stucco application, should overlap the window nail-on flange.

CARE & MAINTENANCE

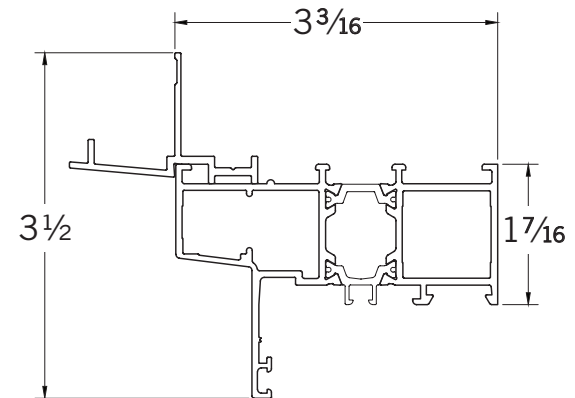
- Doors should be kept free of all dust, dirt, paint and plaster.
- The sill should be kept clean at all times. A vacuum cleaner with a crevice attachment is recommended.
- Doors should only be cleaned with mild soap and water.
- **Caution:** Damage will occur to the finish and to the sealed glass unit if solvents, petroleum products, or caustic chemicals, such as acetone or paint thinner are used to clean window frames. Damage caused by this type of abuse is not covered under warranty.



701 OUTSWING
NAIL-ON FRAME
HEAD / JAMB ONLY

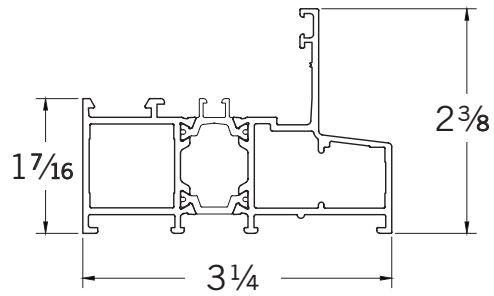


701 INSWING
NAIL-ON FRAME
HEAD / JAMB ONLY

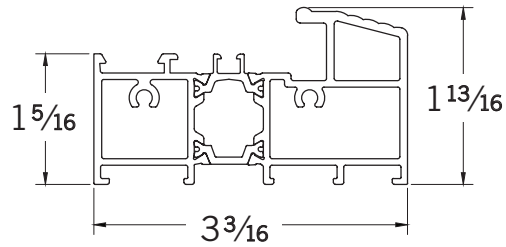




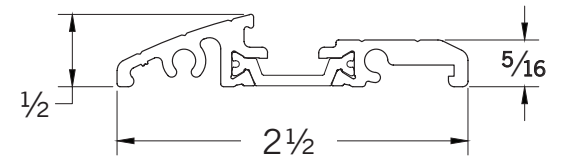
702 2 3/8" SILL



784 MID RISE SILL

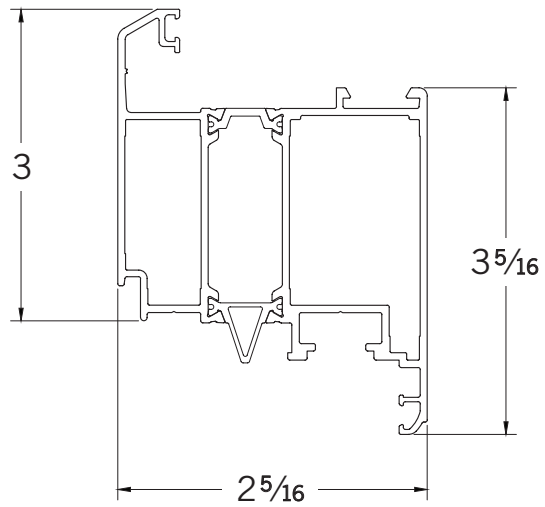


748 LOW PROFILE SILL

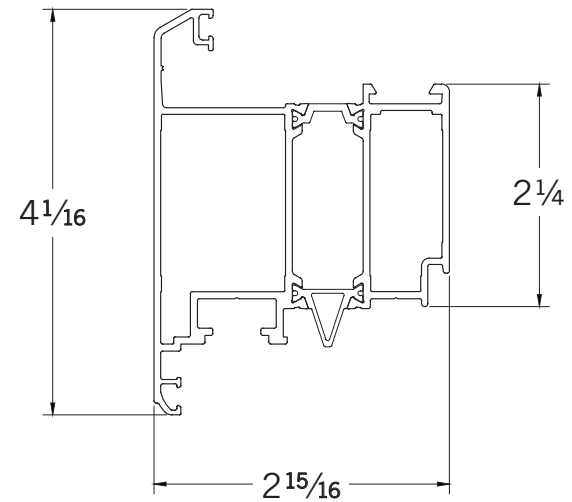




705 INSWING SASH

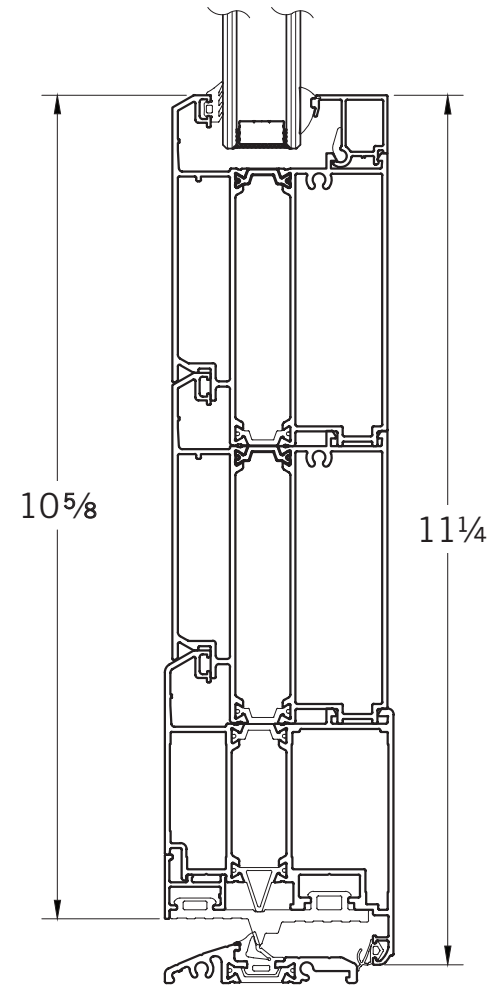
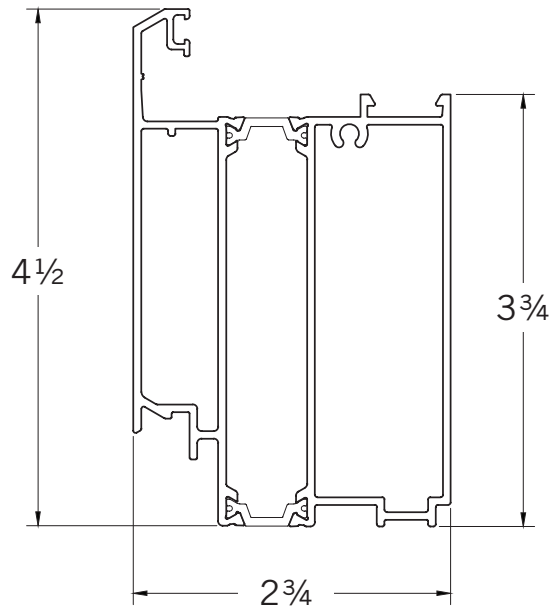


708 OUTSWING SASH



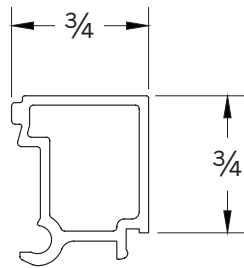


745 KICK PLATE
11 1/4"

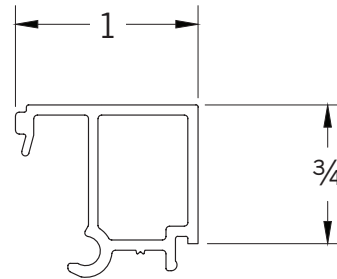




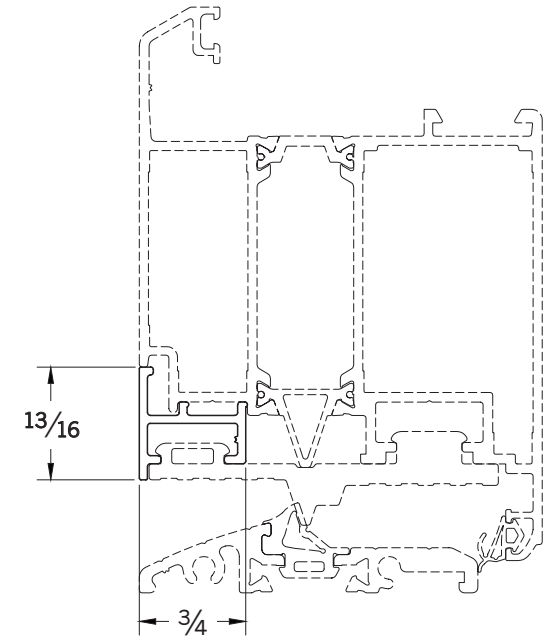
709 GLAZING BEAD
1 1/4" OA



710 GLAZING BEAD
1" OA

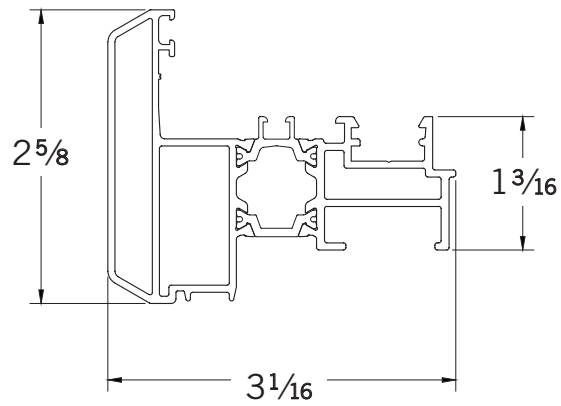


**711 LOWERED THRESHOLD
SASH ATTACHMENT**

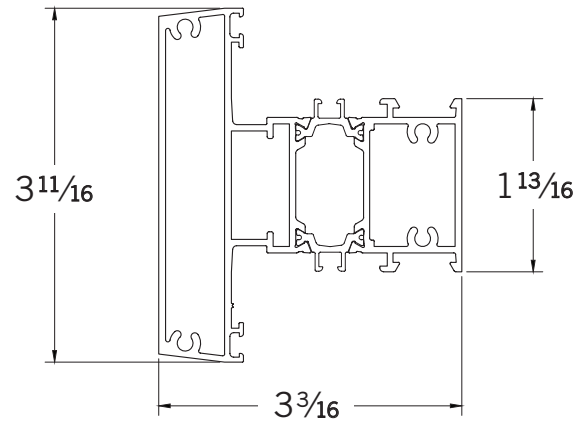




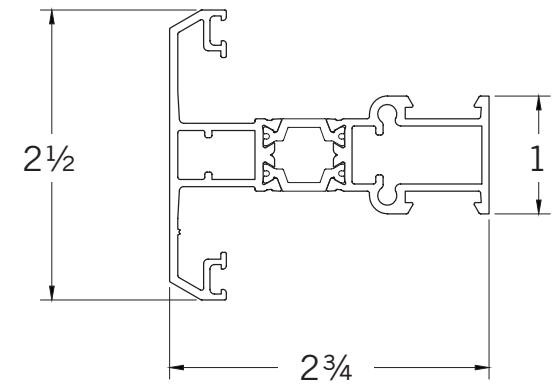
720 ASTRAGAL



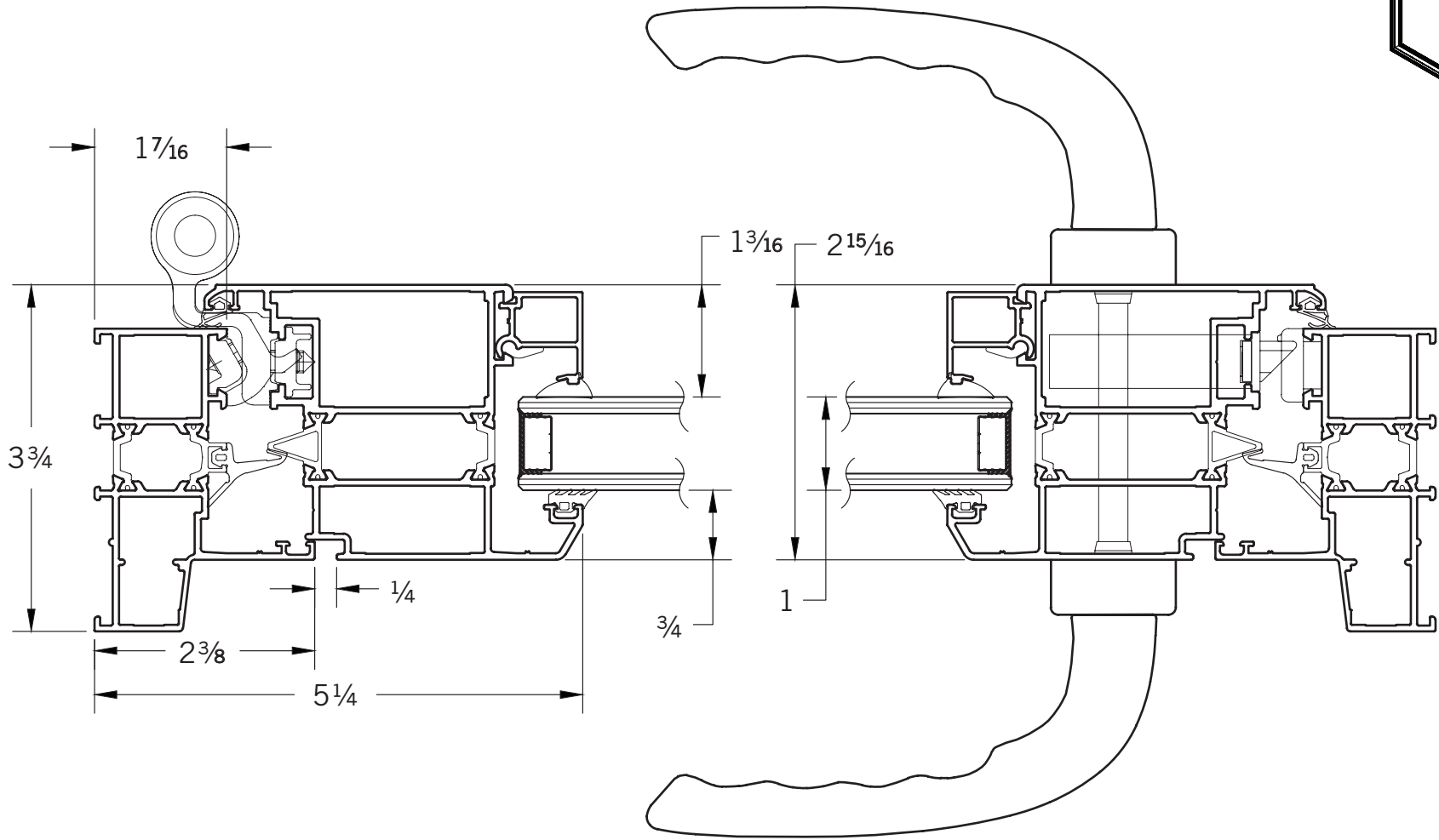
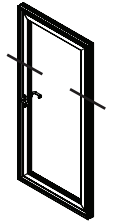
732 BAR
FOR SIDELITE OR TRANSOM



735 TDL

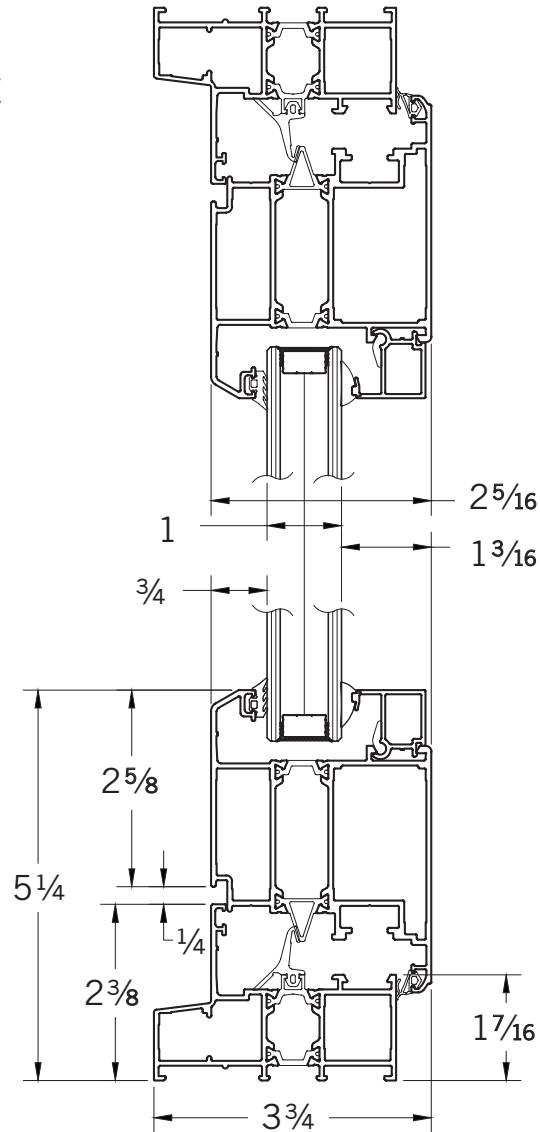
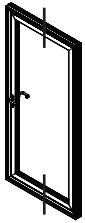


IN SWING
SINGLE DOOR - BLOCK FRAME

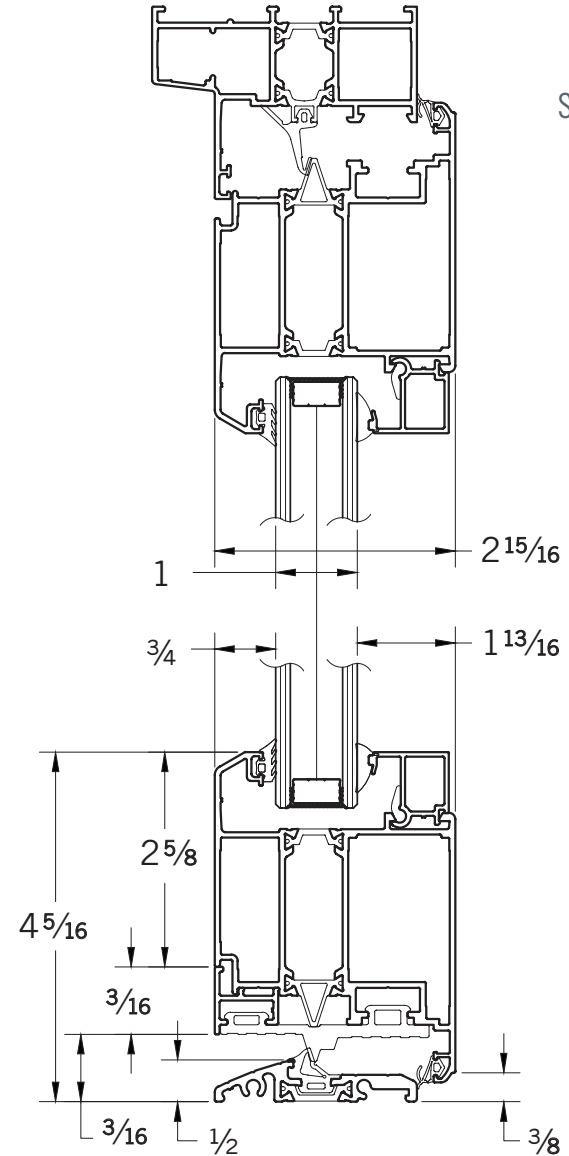




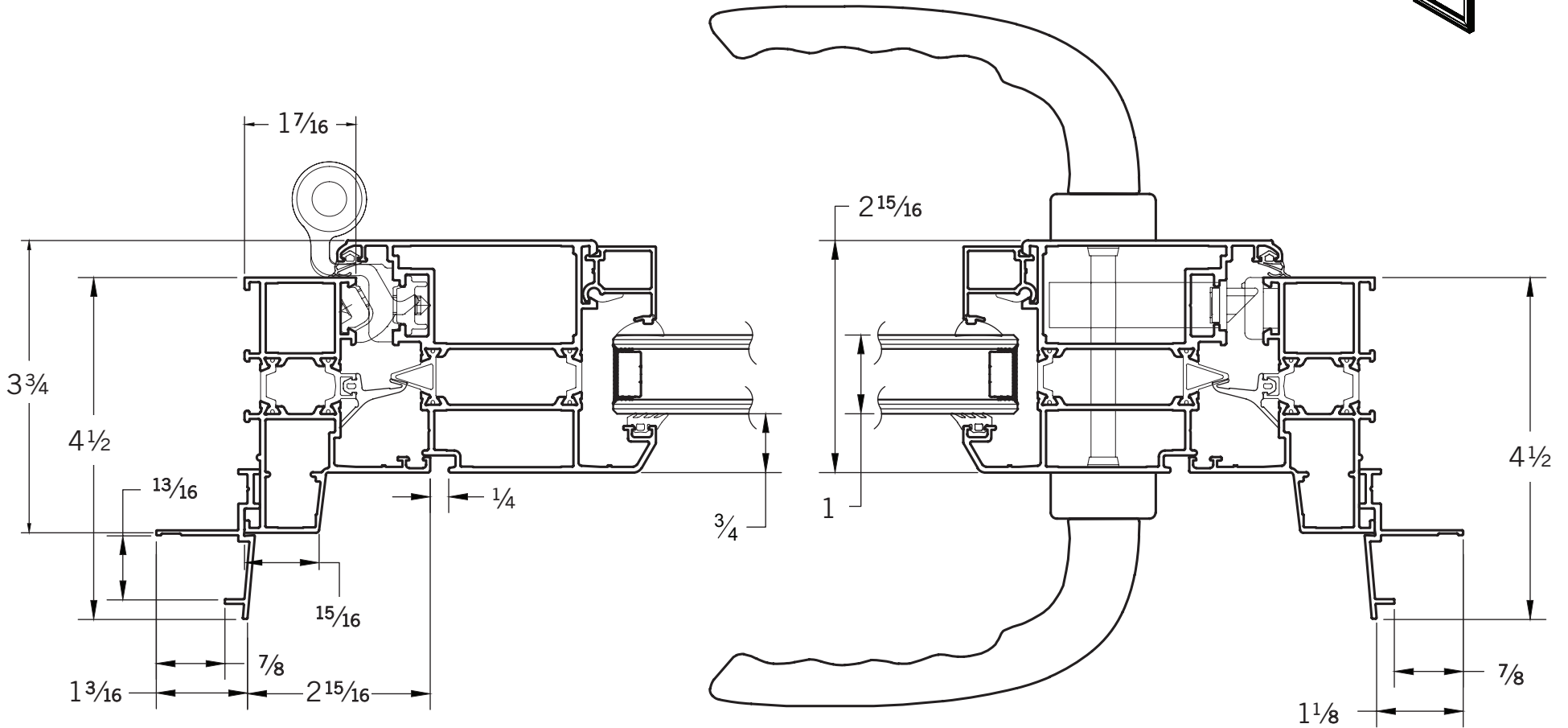
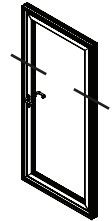
INSWING
STANDARD SILL
SINGLE DOOR - BLOCK FRAME



INSWING
LOW PROFILE SILL
SINGLE DOOR - BLOCK FRAME

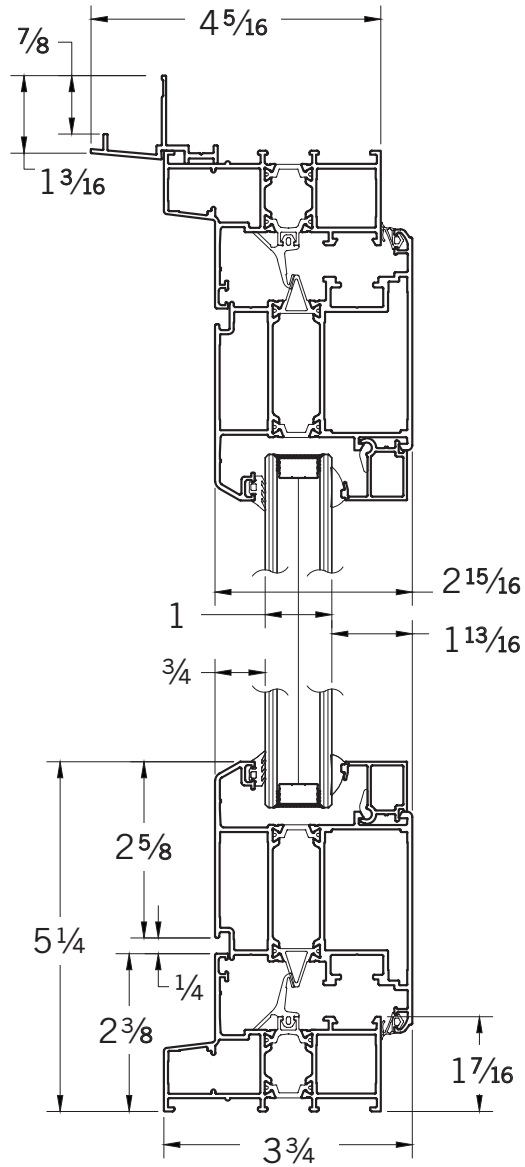
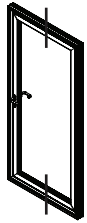


IN SWING
SINGLE DOOR - NAIL FIN

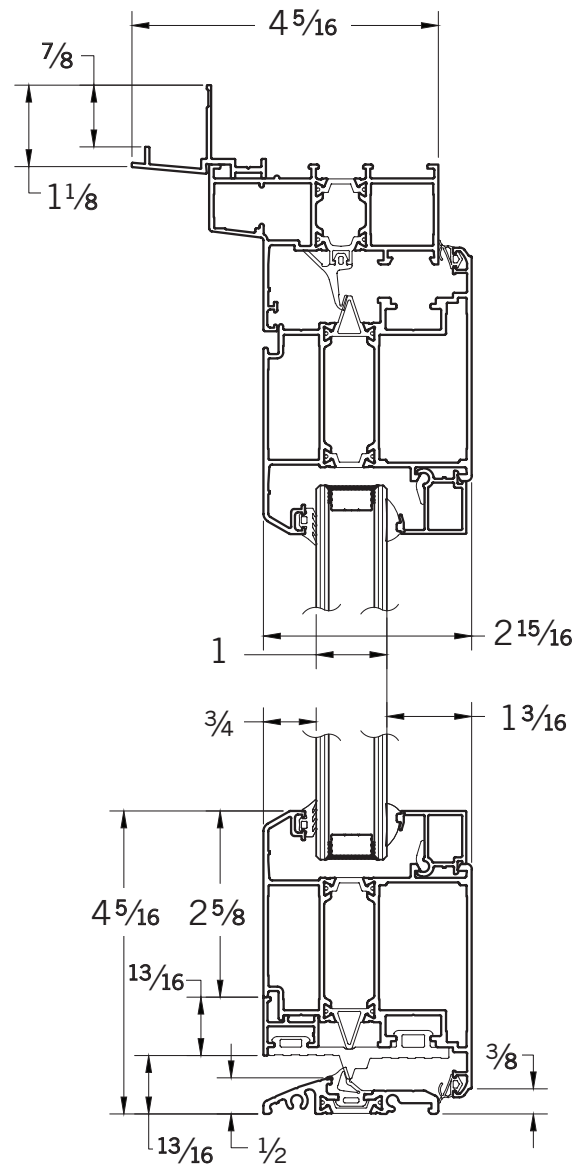




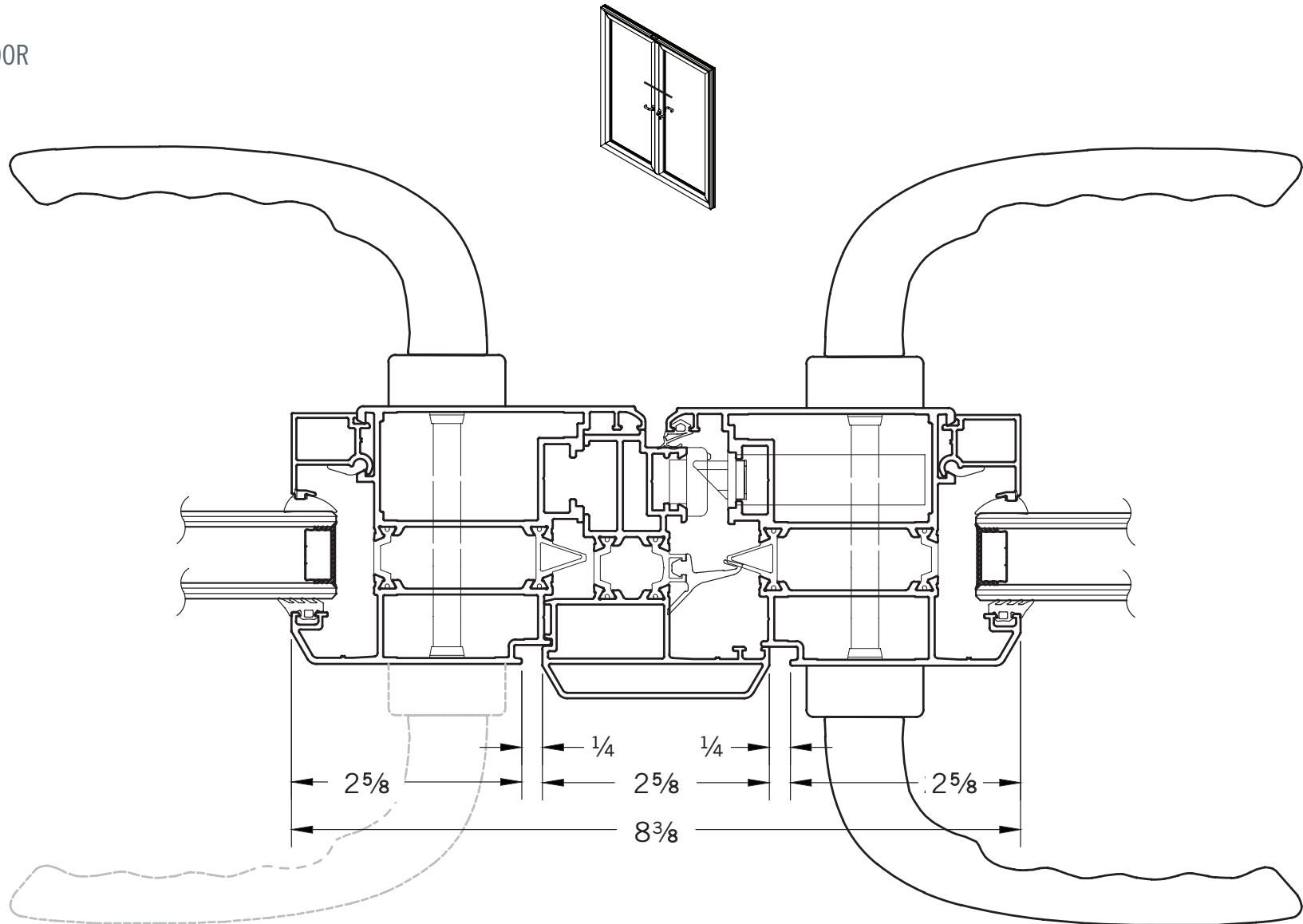
INSWING
STANDARD SILL
SINGLE DOOR - NAIL FIN



INSWING
LOW PROFILE SILL
SINGLE DOOR - NAIL FIN

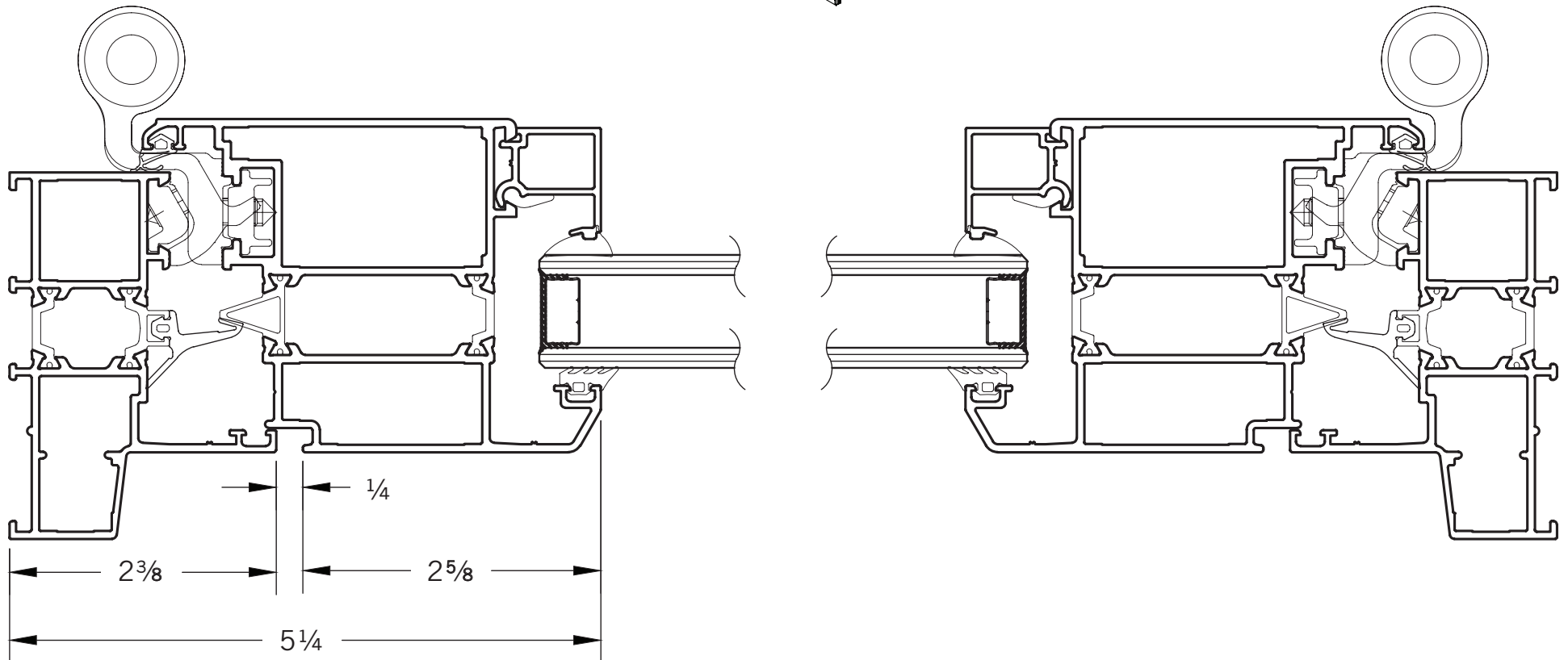
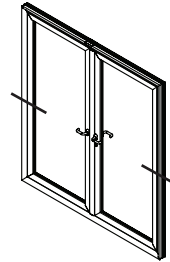


INSWING
DOUBLE DOOR



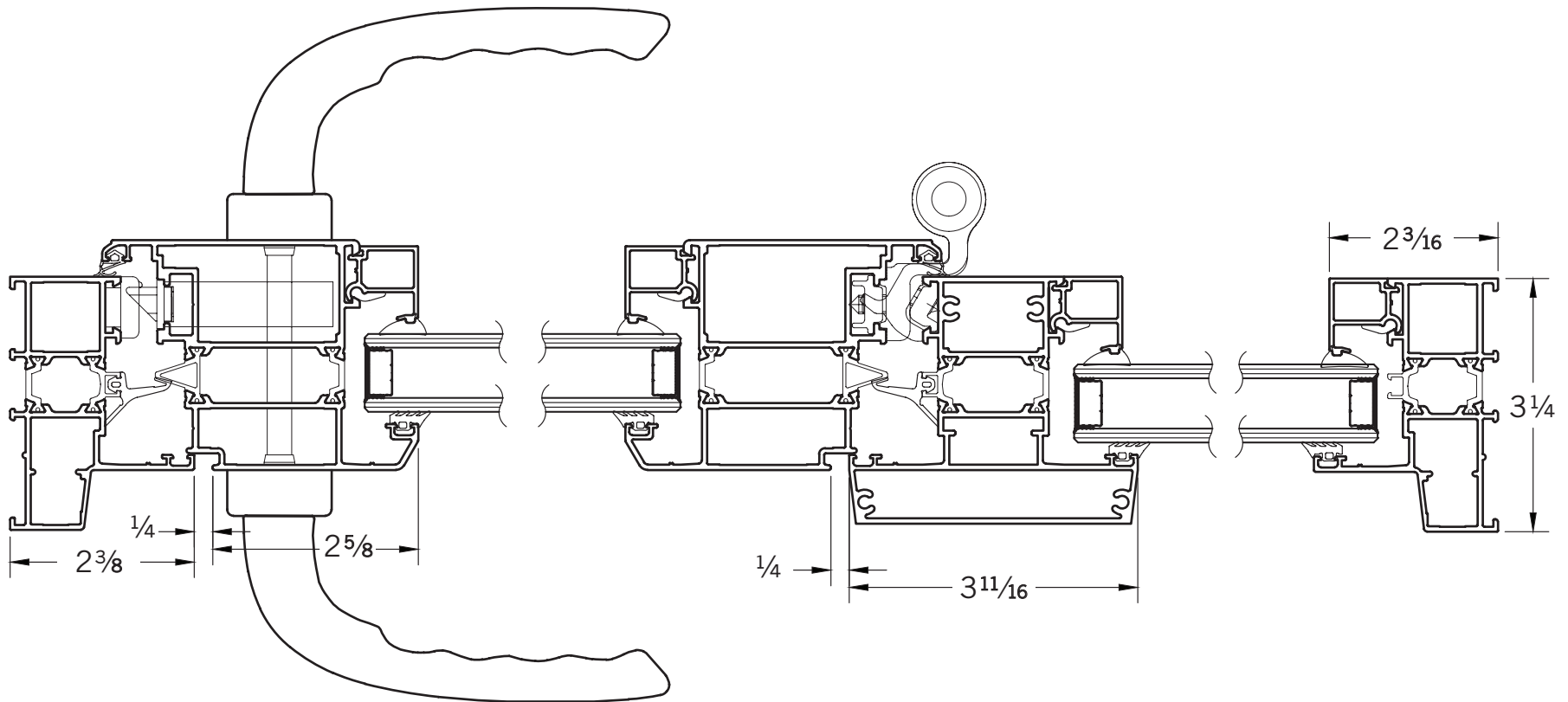
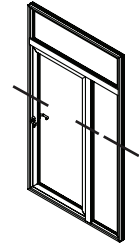


IN SWING
DOUBLE DOOR - BLOCK FRAME



IN SWING

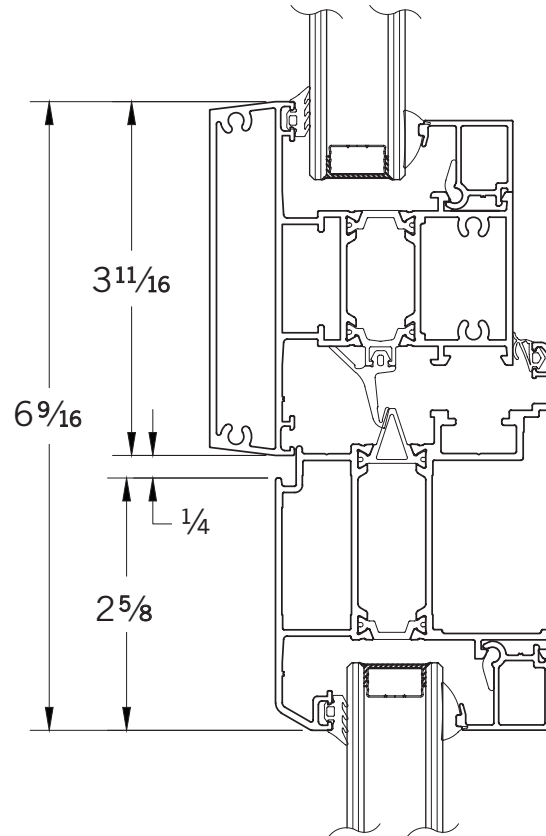
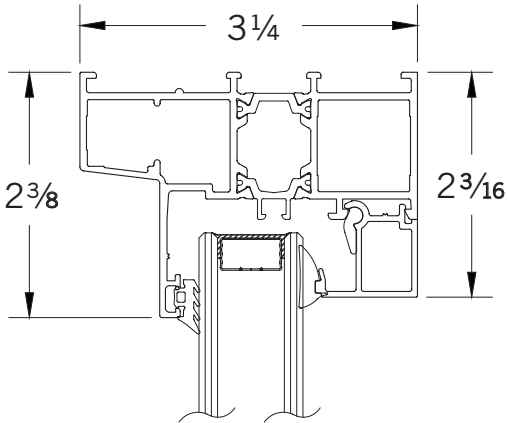
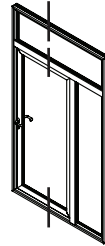
SINGLE DOOR WITH SIDELIGHT
& TRANSOM - BLOCK FRAME





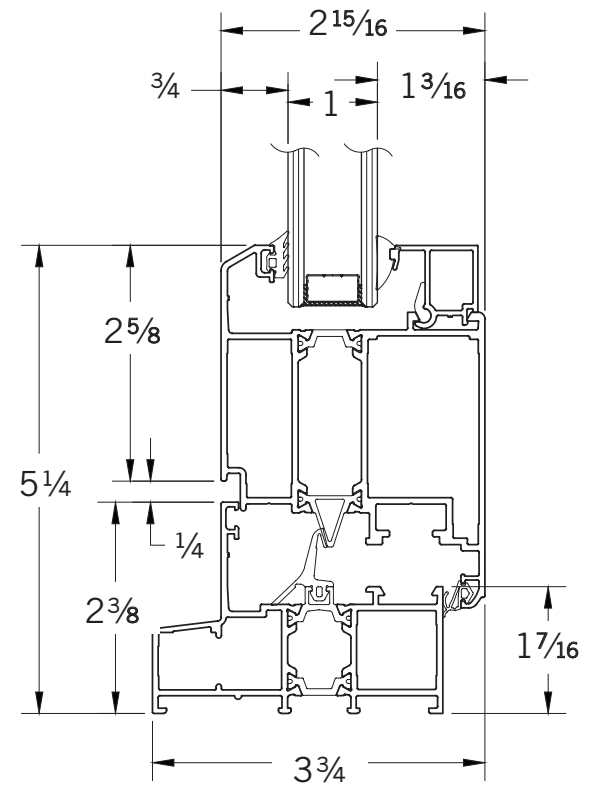
INSWING

SINGLE DOOR SIDELIGHT / TRANSOM

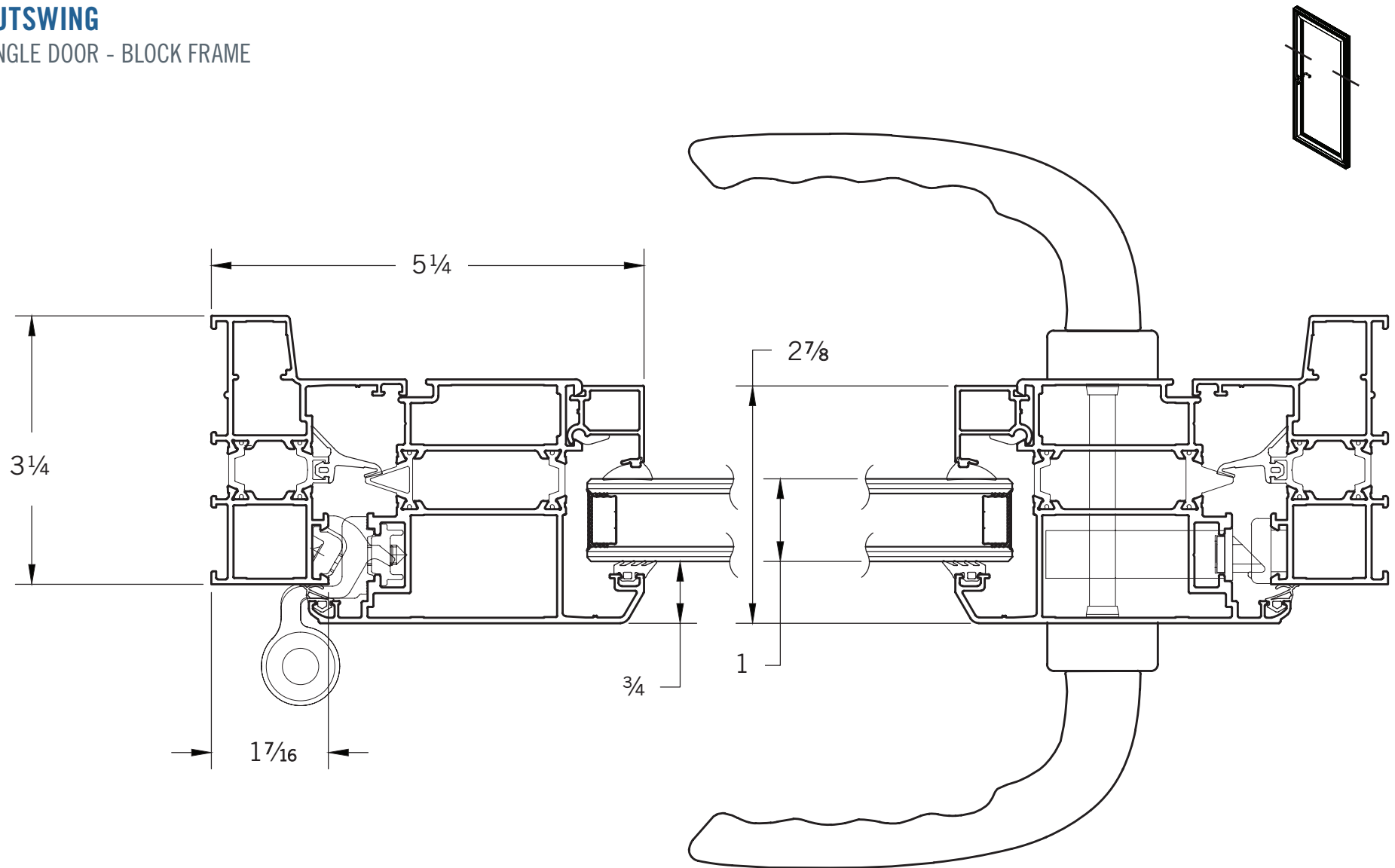


INSWING

SINGLE DOOR WITH SIDELIGHT &
TRANSOM | STANDARD SILL

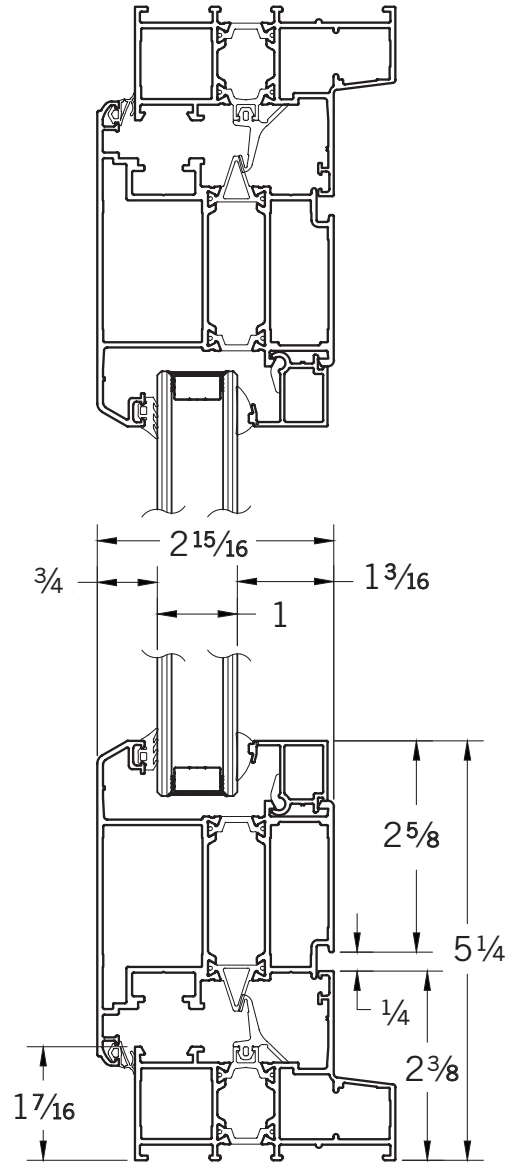
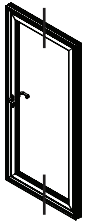


OUTSWING SINGLE DOOR - BLOCK FRAME

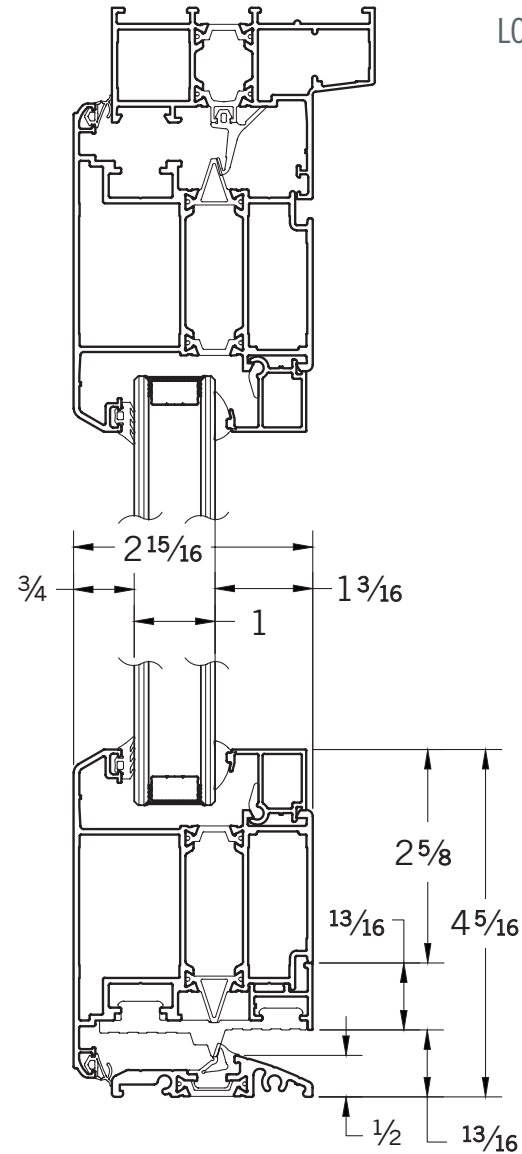




OUTSWING
STANDARD SILL - BLOCK FRAME
SINGLE DOOR

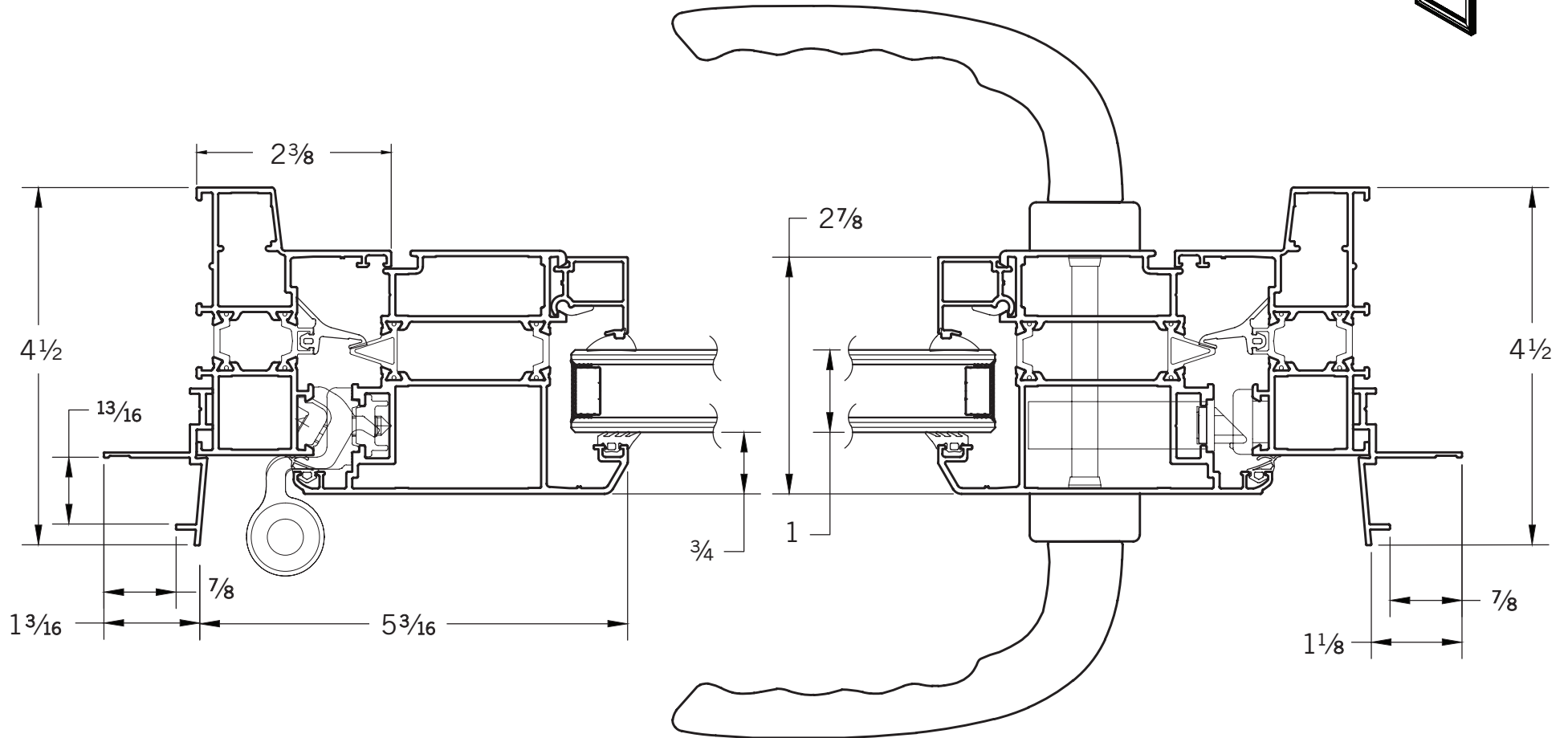
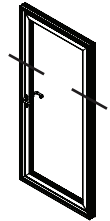


OUTSWING
LOW PROFILE SILL - BLOCK FRAME
SINGLE DOOR



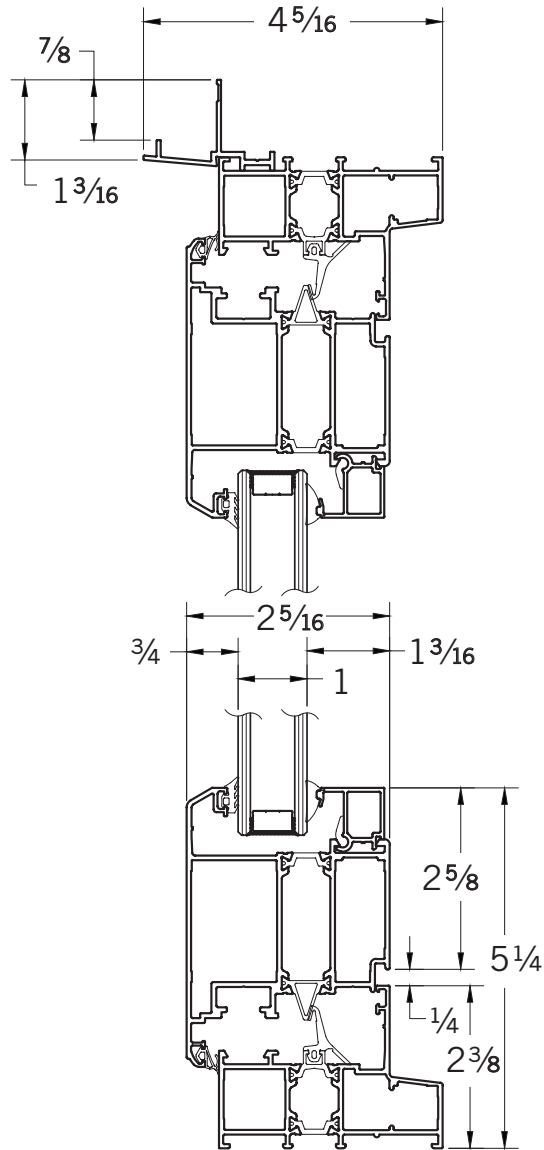
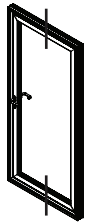


OUTSWING
SINGLE DOOR - NAIL FIN

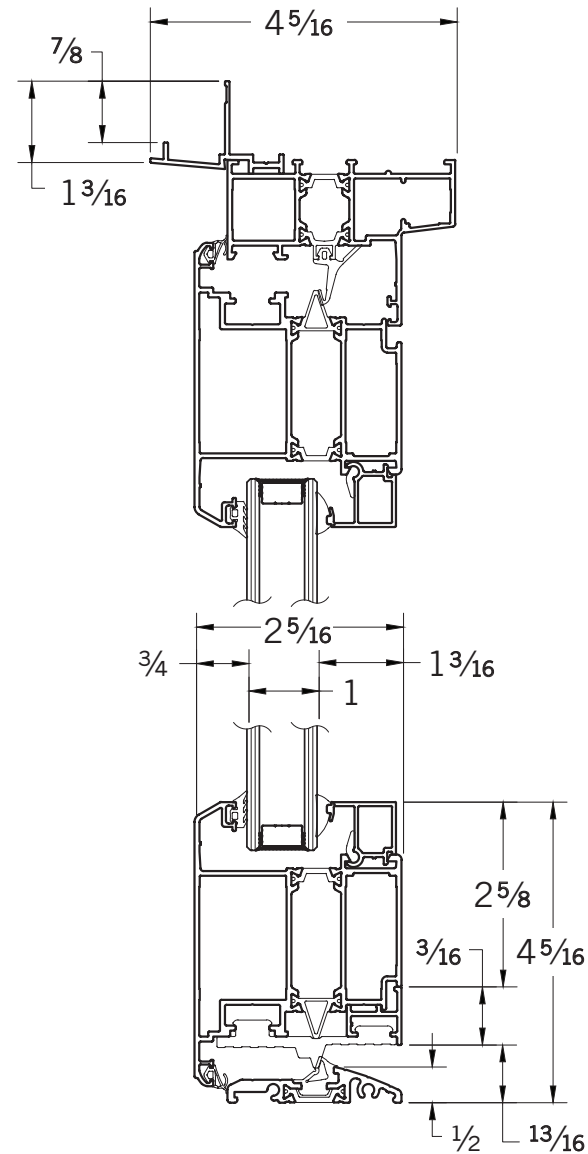




OUTSWING
STANDARD SILL
SINGLE DOOR - NAIL FIN

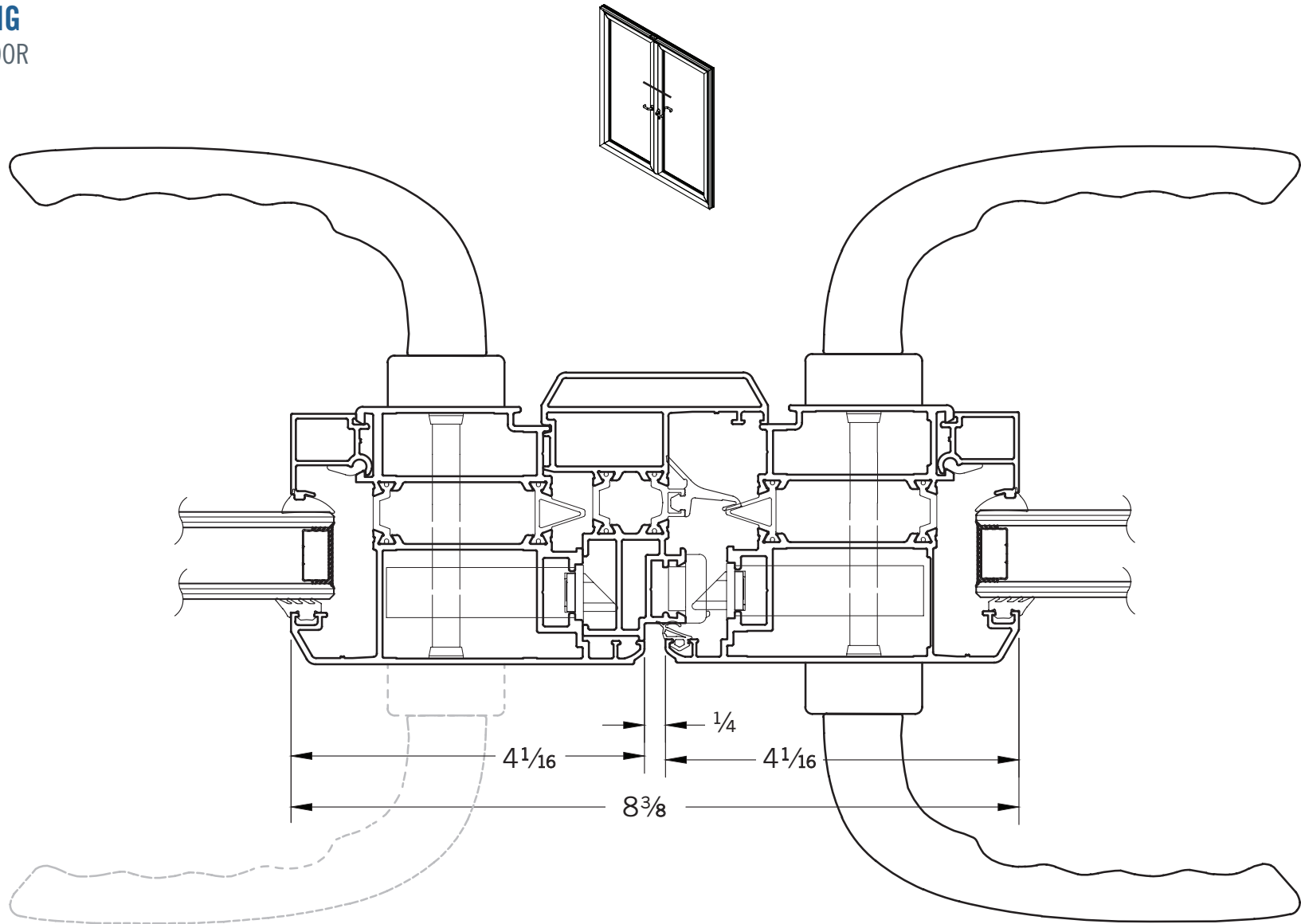


OUTSWING
LOW PROFILE SILL
SINGLE DOOR - NAIL FIN



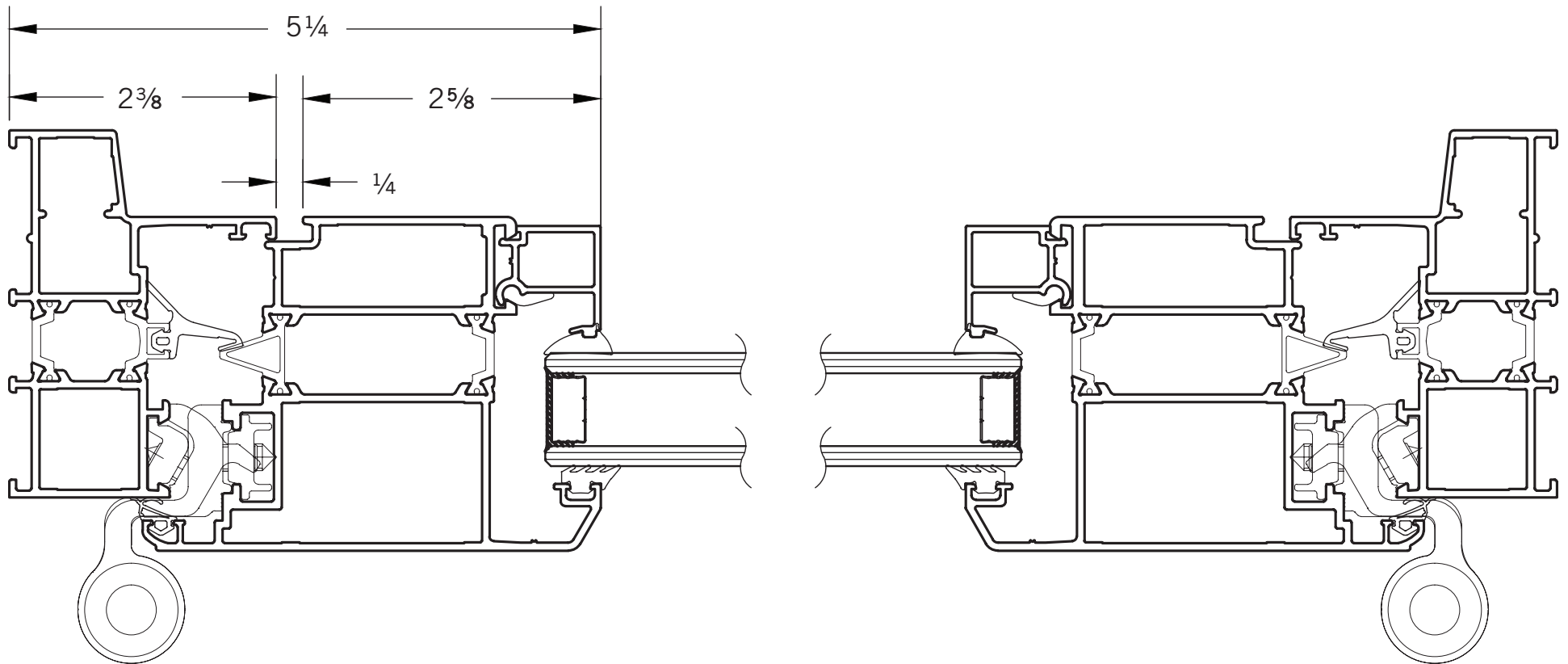
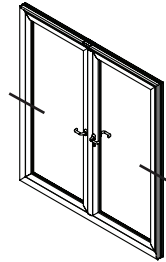


OUTSWING
DOUBLE DOOR



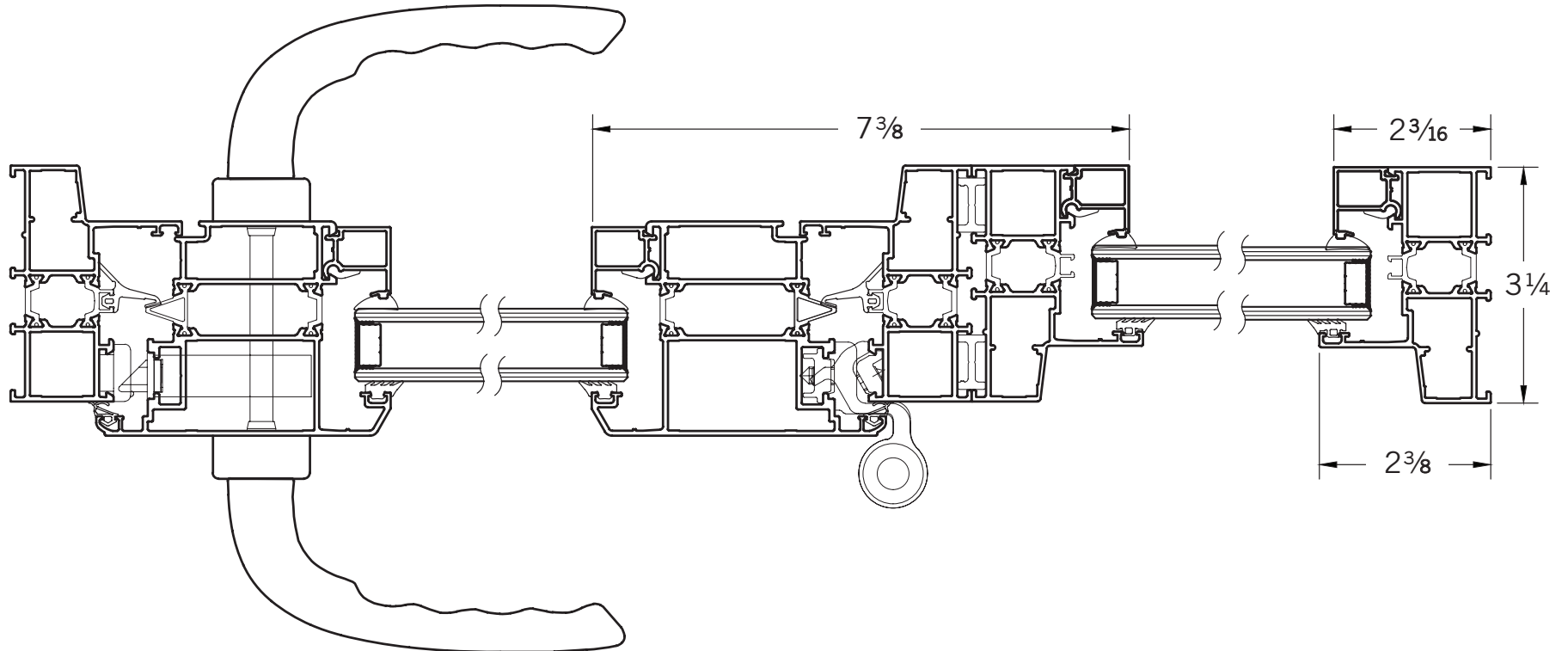
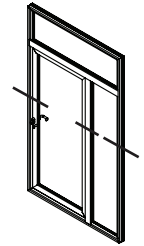


OUTSWING
DOUBLE DOOR - BLOCK FRAME



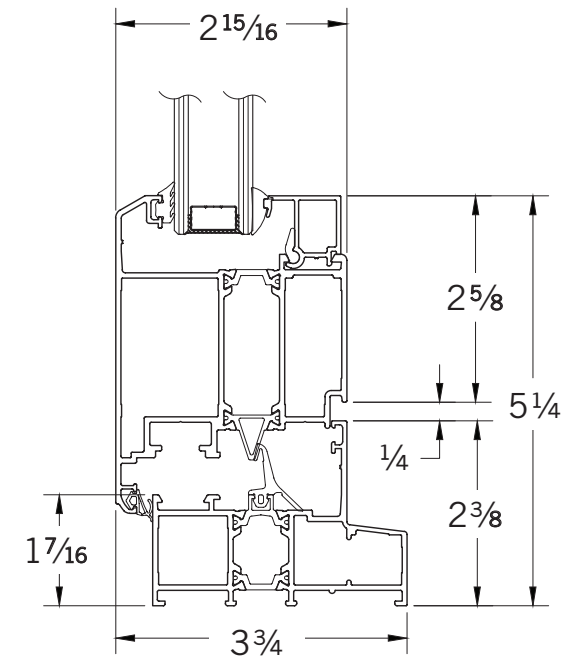
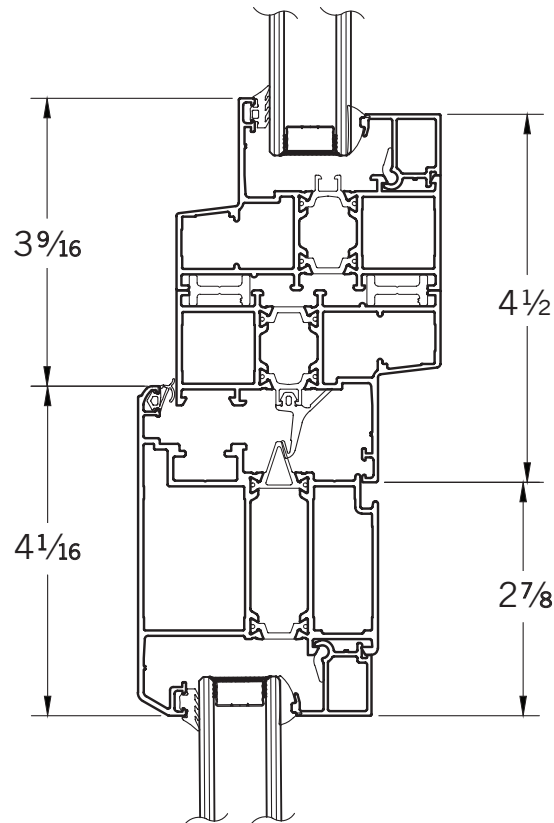
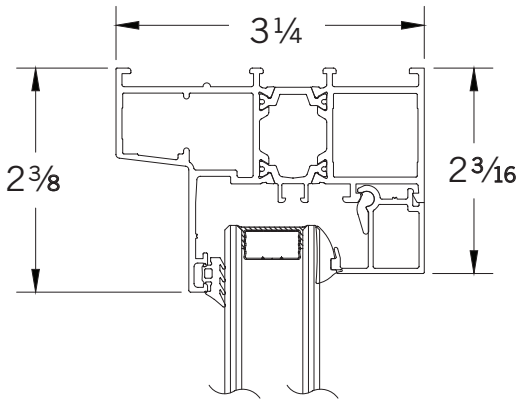
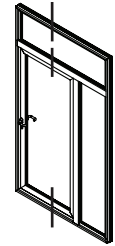
OUTSWING

SINGLE DOOR WITH SIDELIGHT
& TRANSOM - BLOCK FRAME



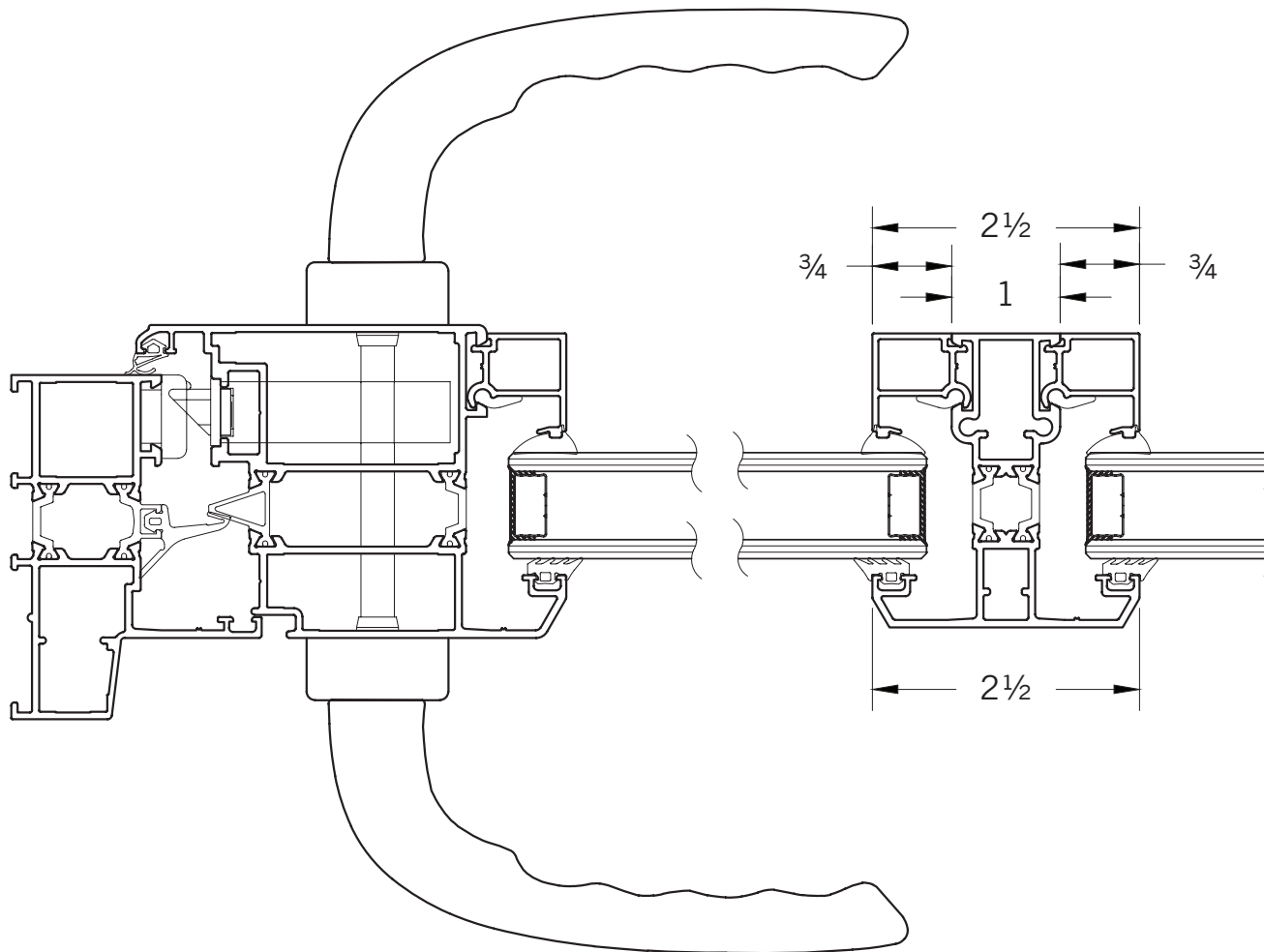
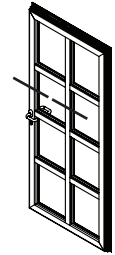
OUTSWING

SINGLE DOOR WITH SIDELIGHT &
TRANSOM | STANDARD SILL



OUTSWING / INSWING

TDL

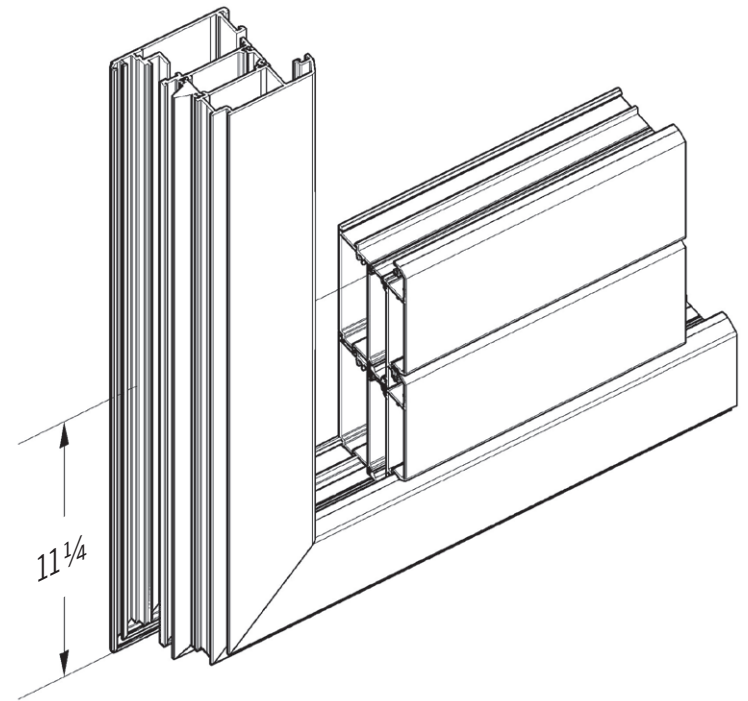
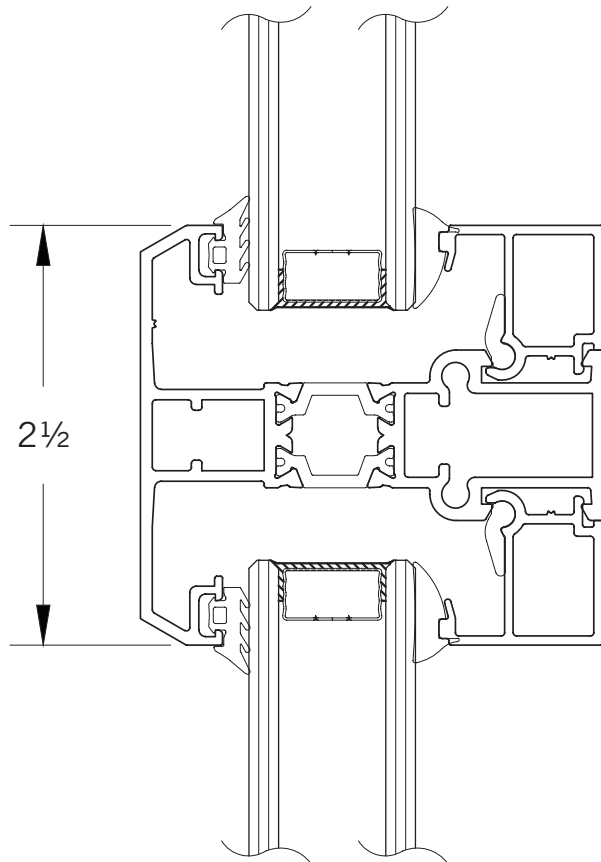




OUTSWING / INSWING

TDL

11 ¼" KICK PLATE





TOKYO HANDLE

